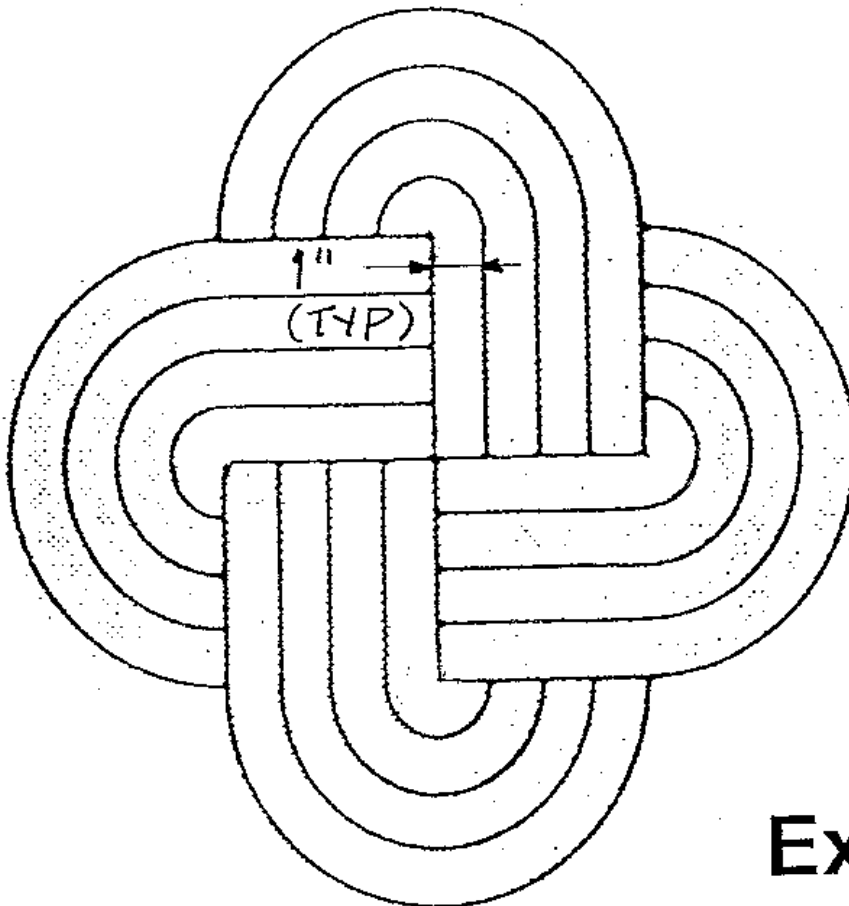
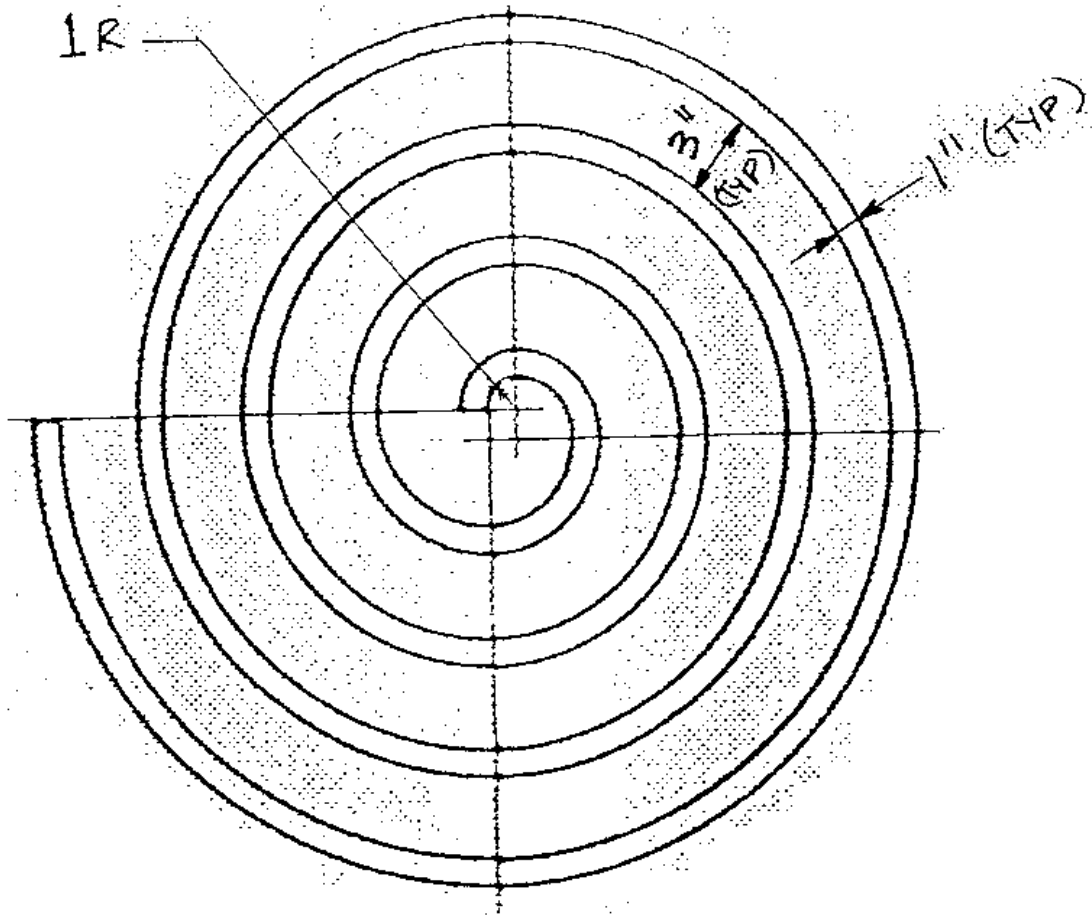
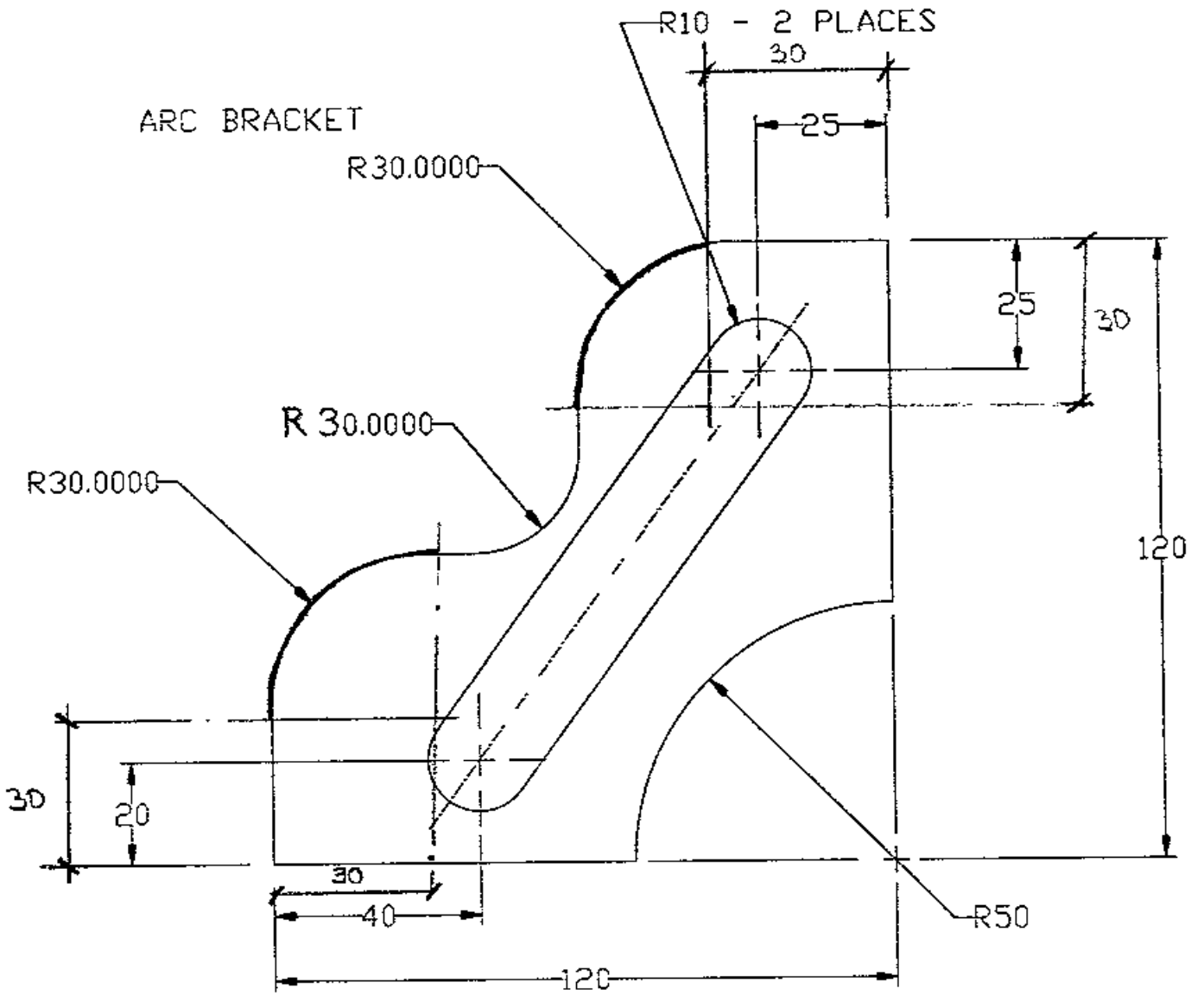


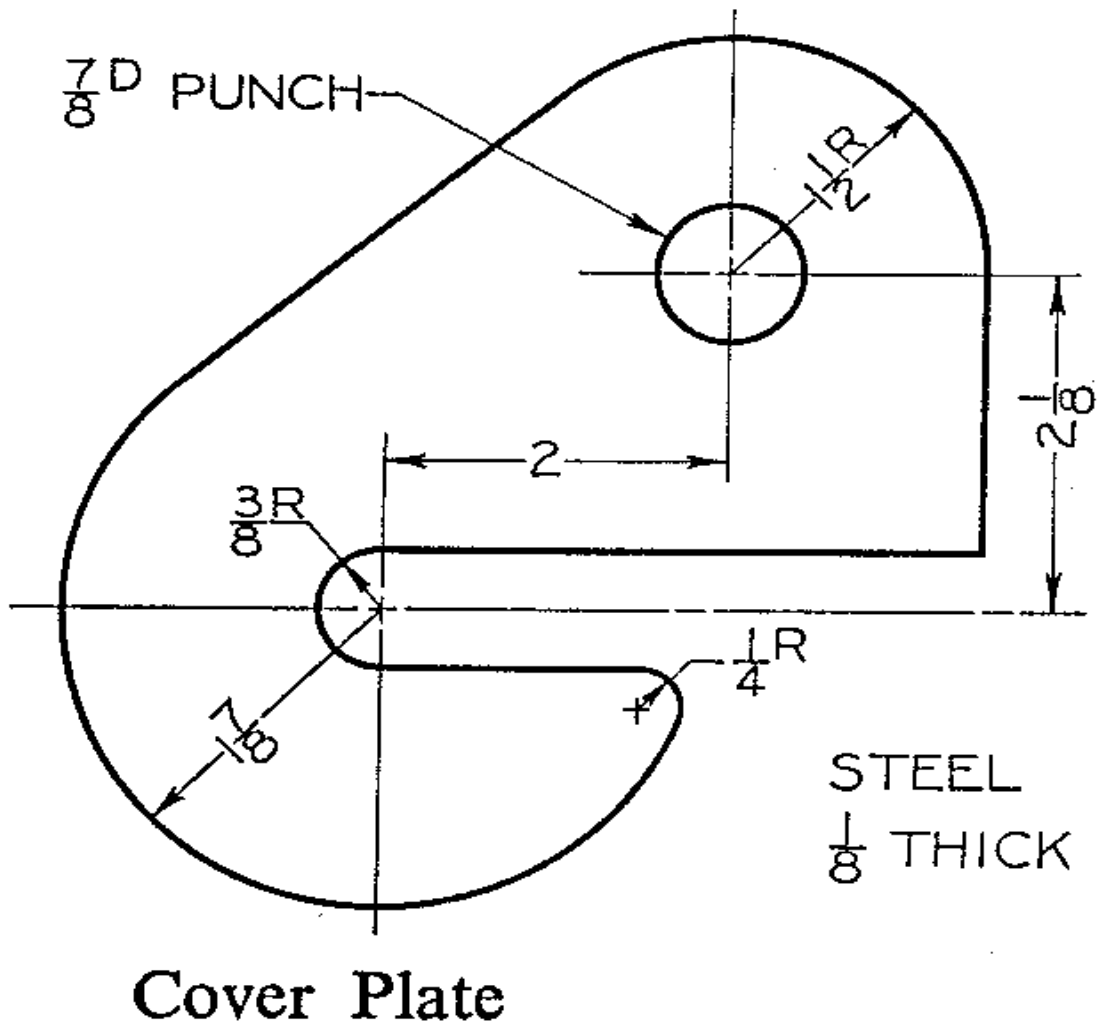
# Exercise 1



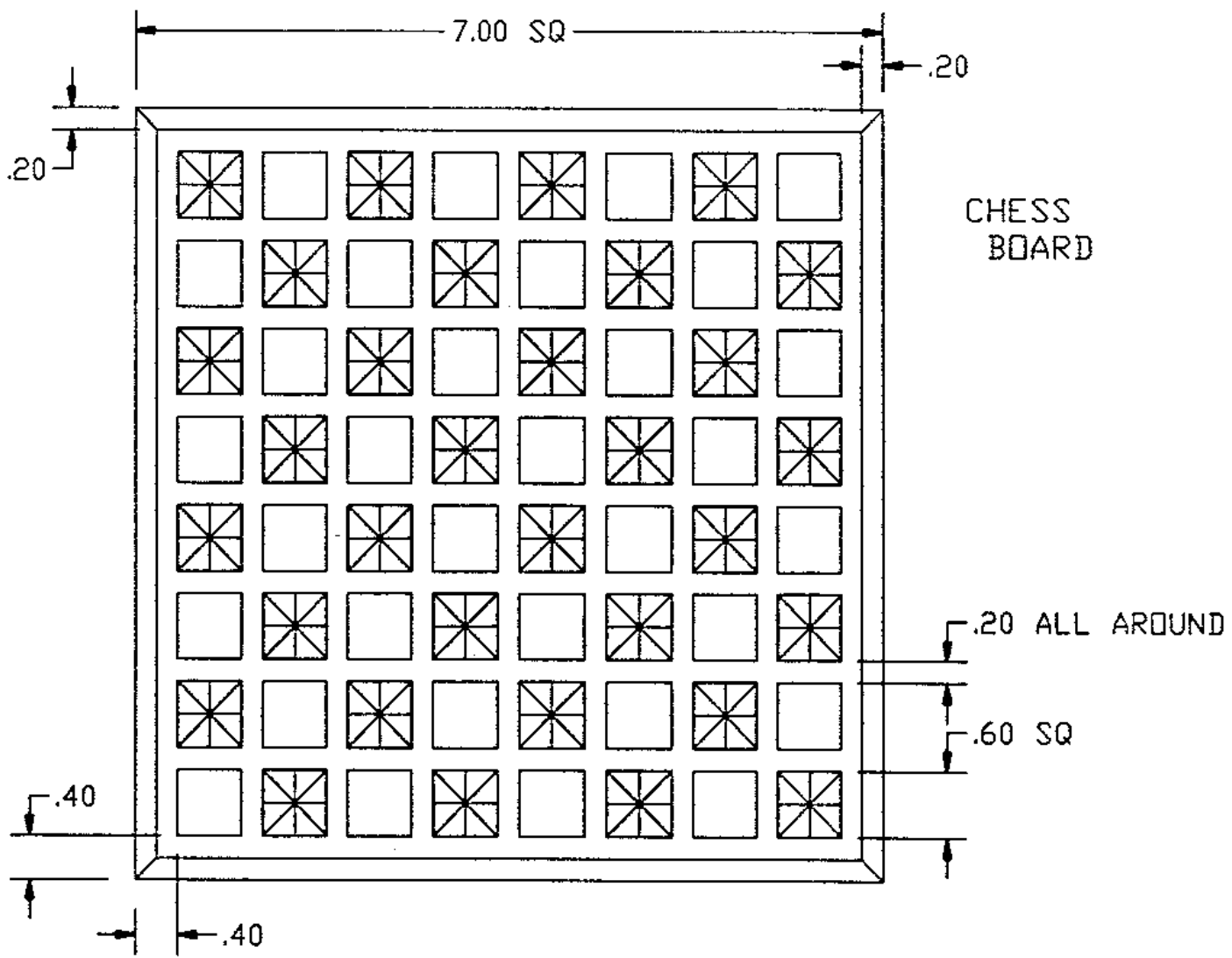
**Exercise 2**



## Exercise 3

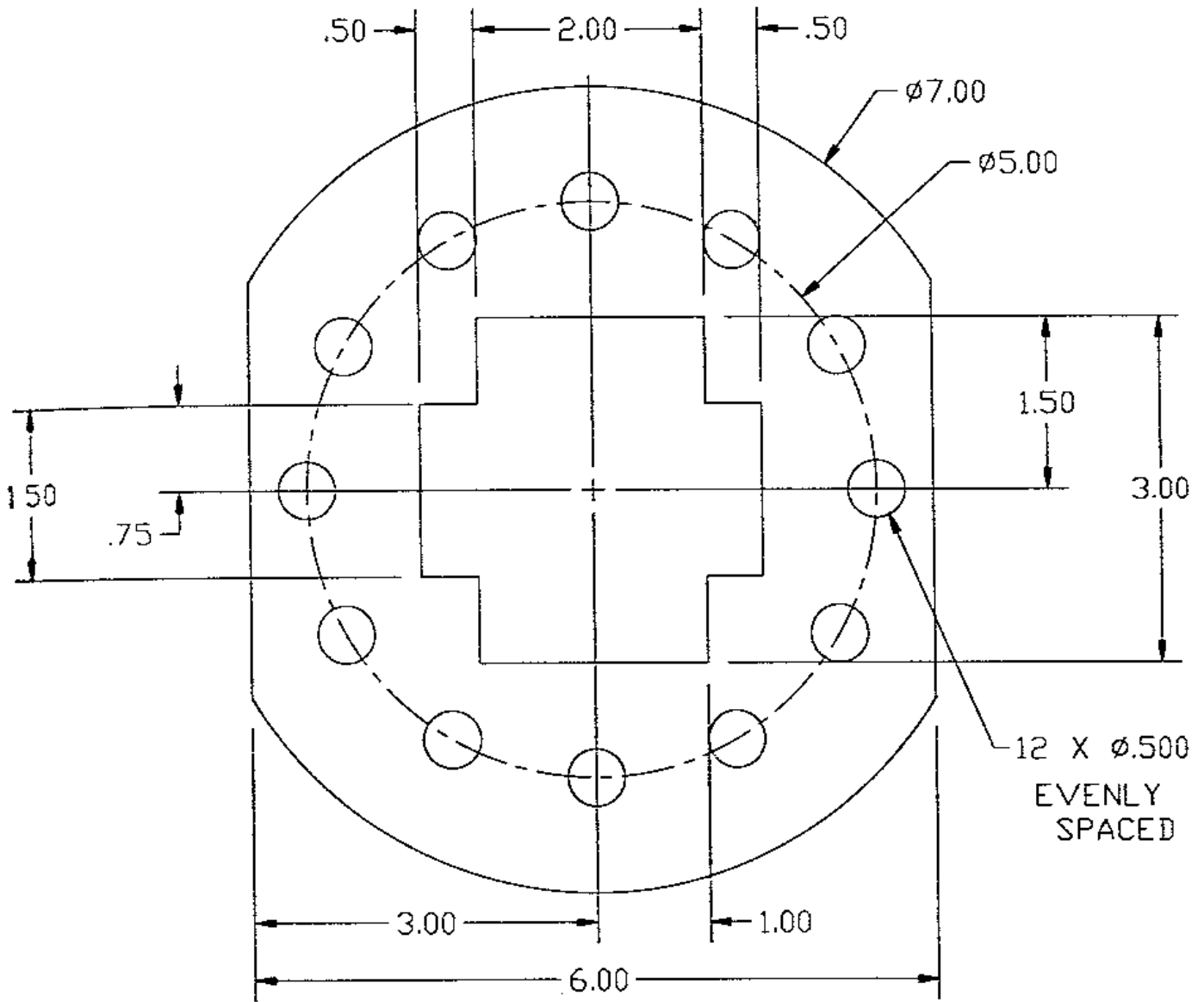


## Exercise 4



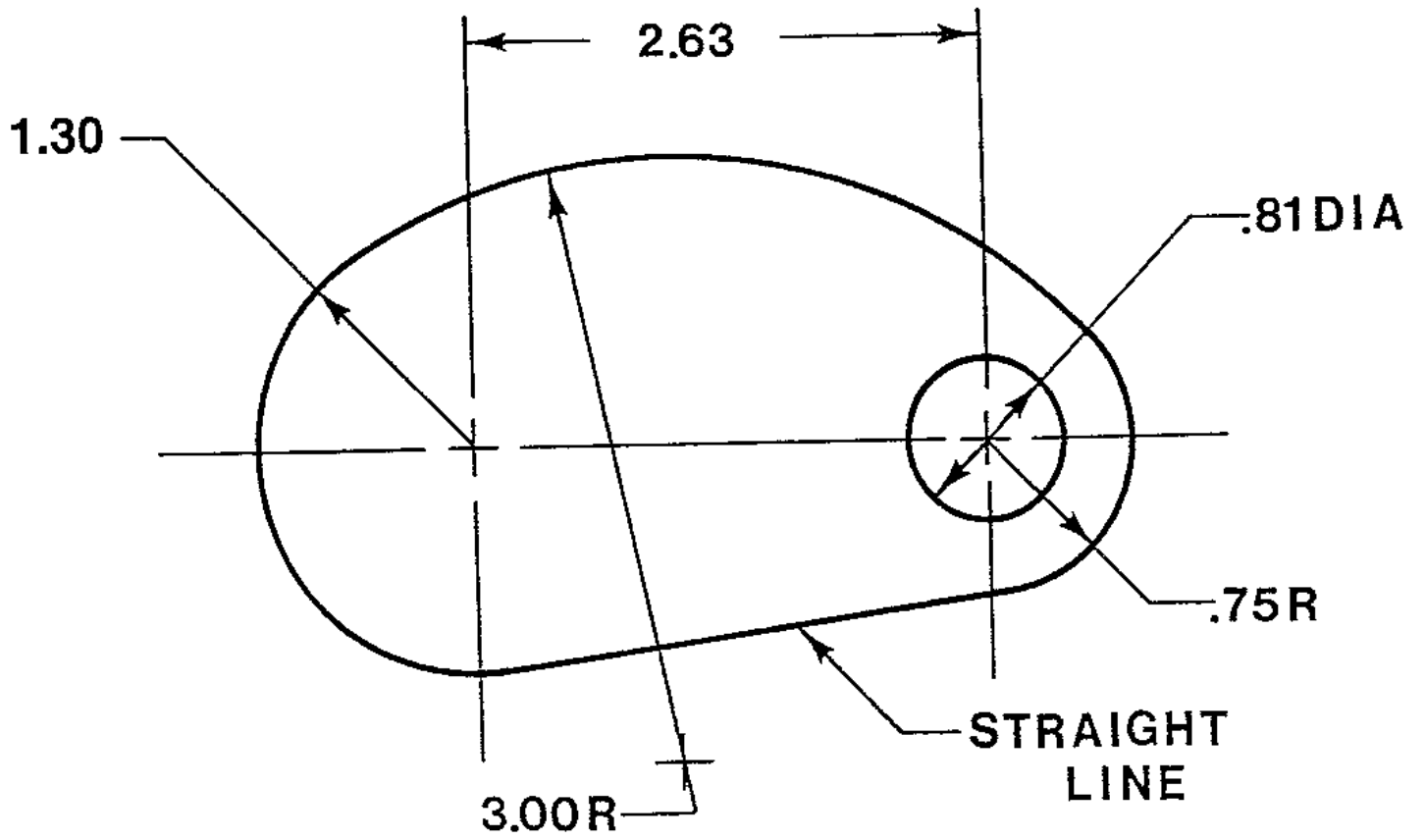
**INCHES**

**Exercise 5**



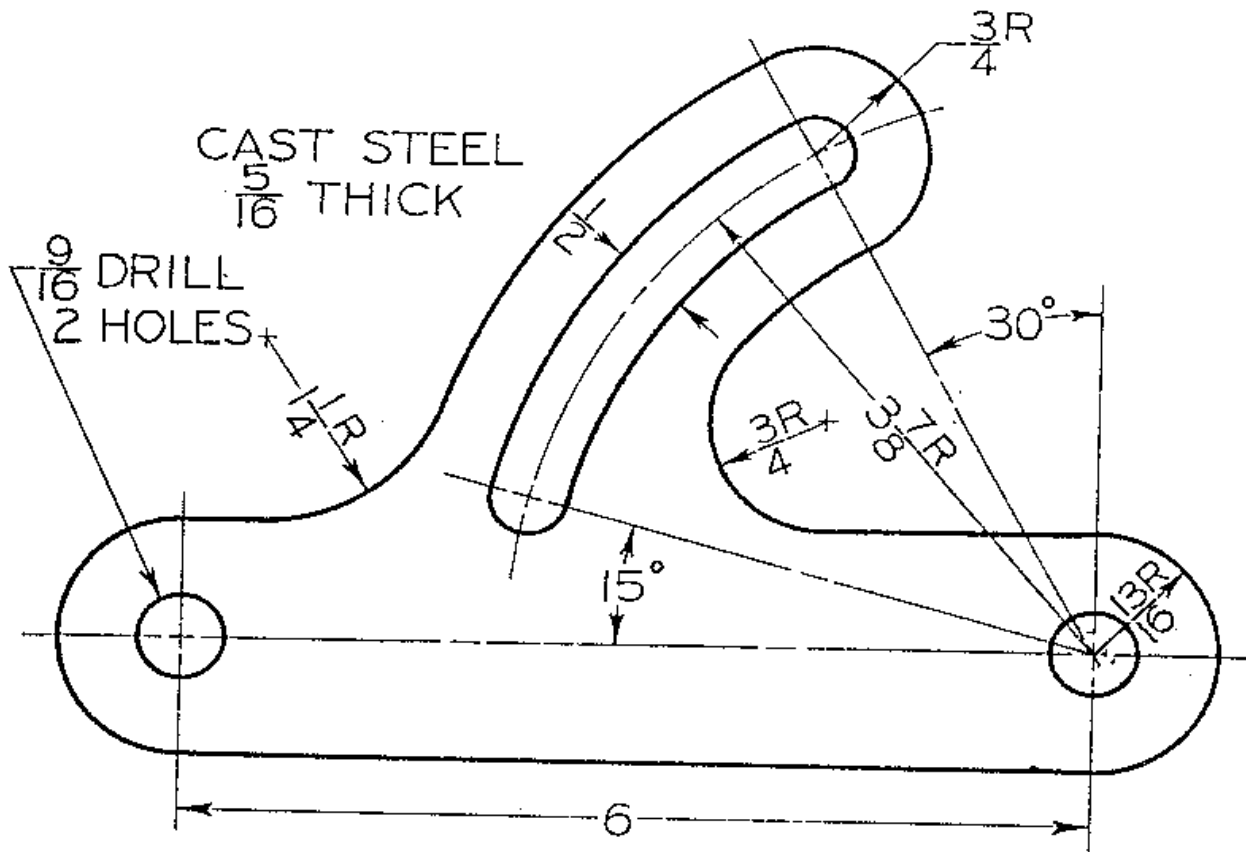
**INCHES**

## Exercise 6



**INCHES**

## **Exercise 7**

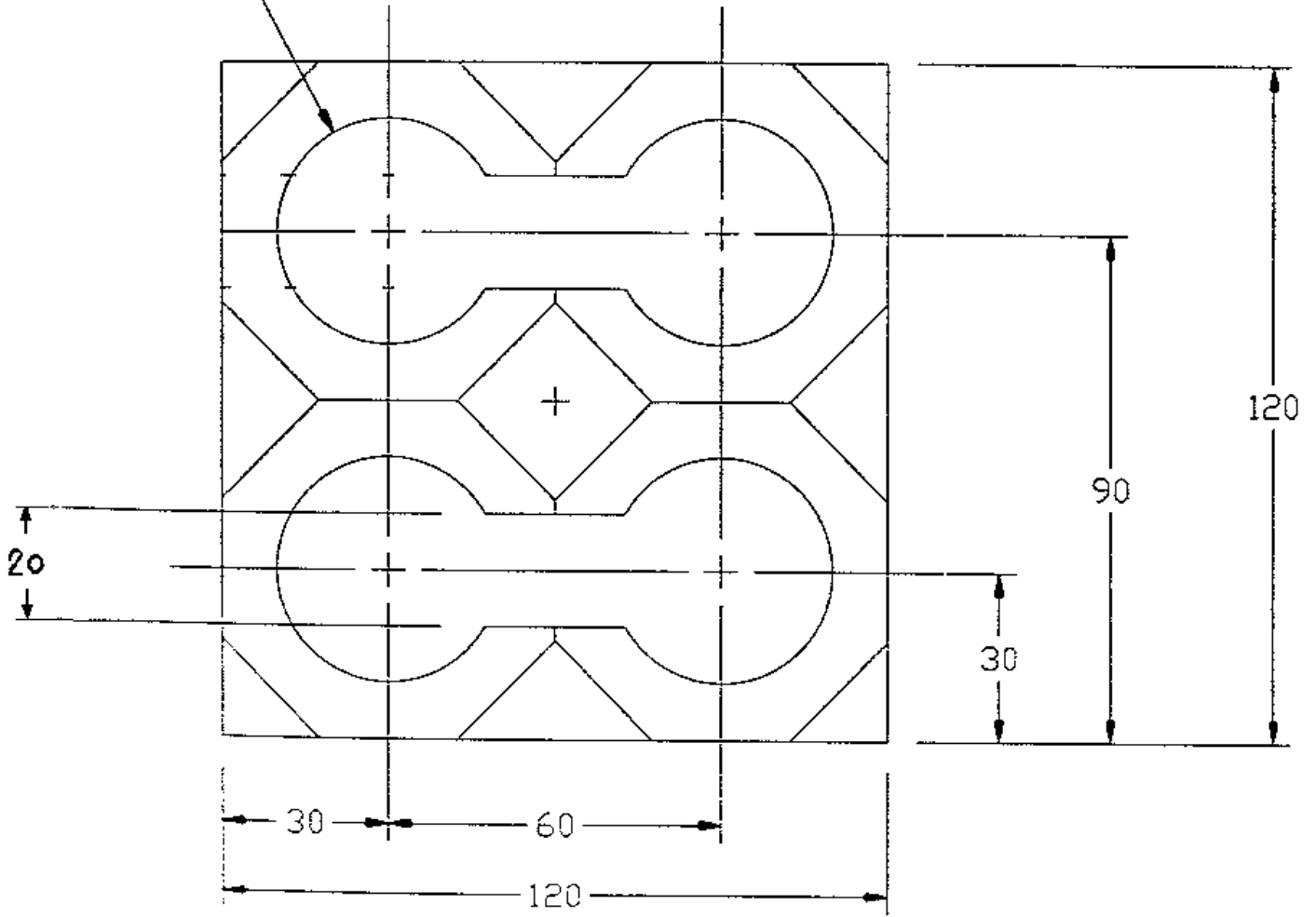


Conveyor Link

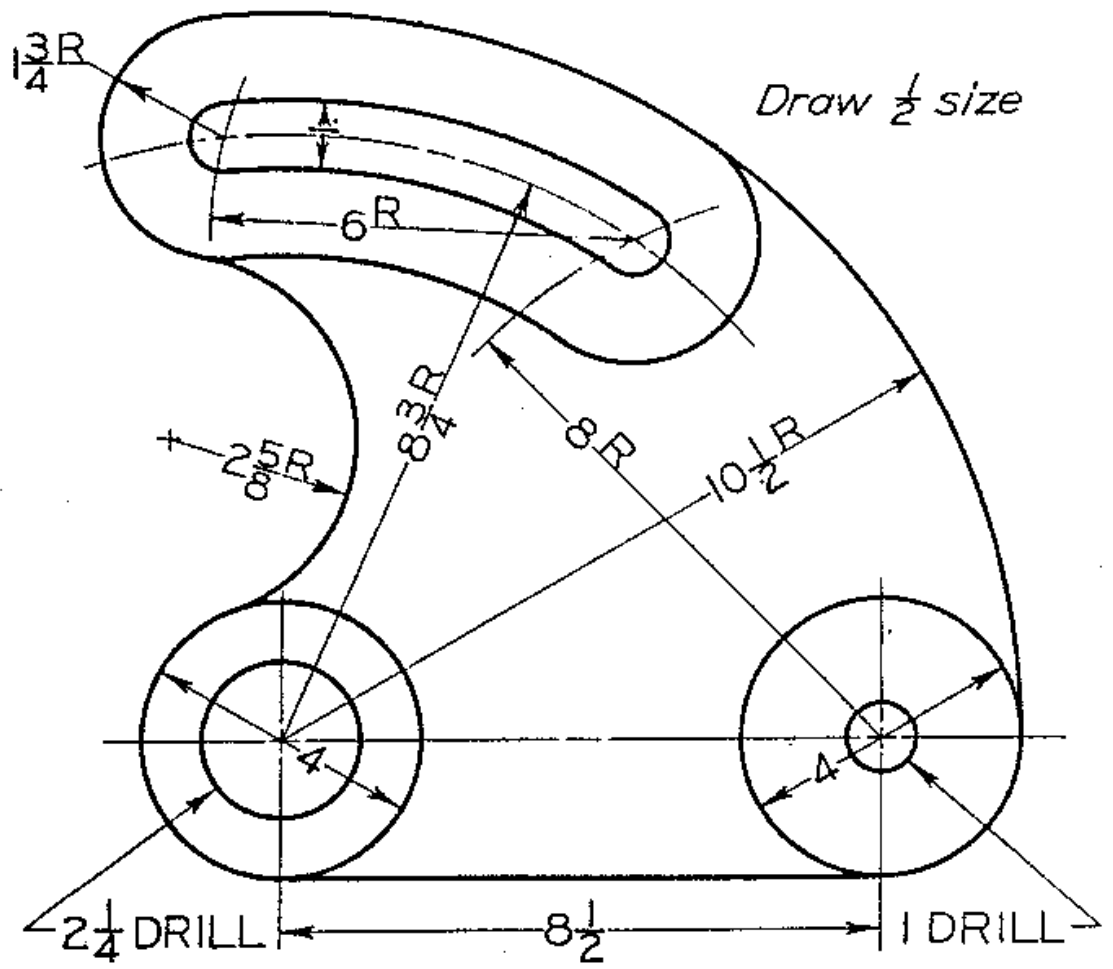
## Exercise 8

OCTAGON STRAINER

Ø40.0 - 4 PLACES



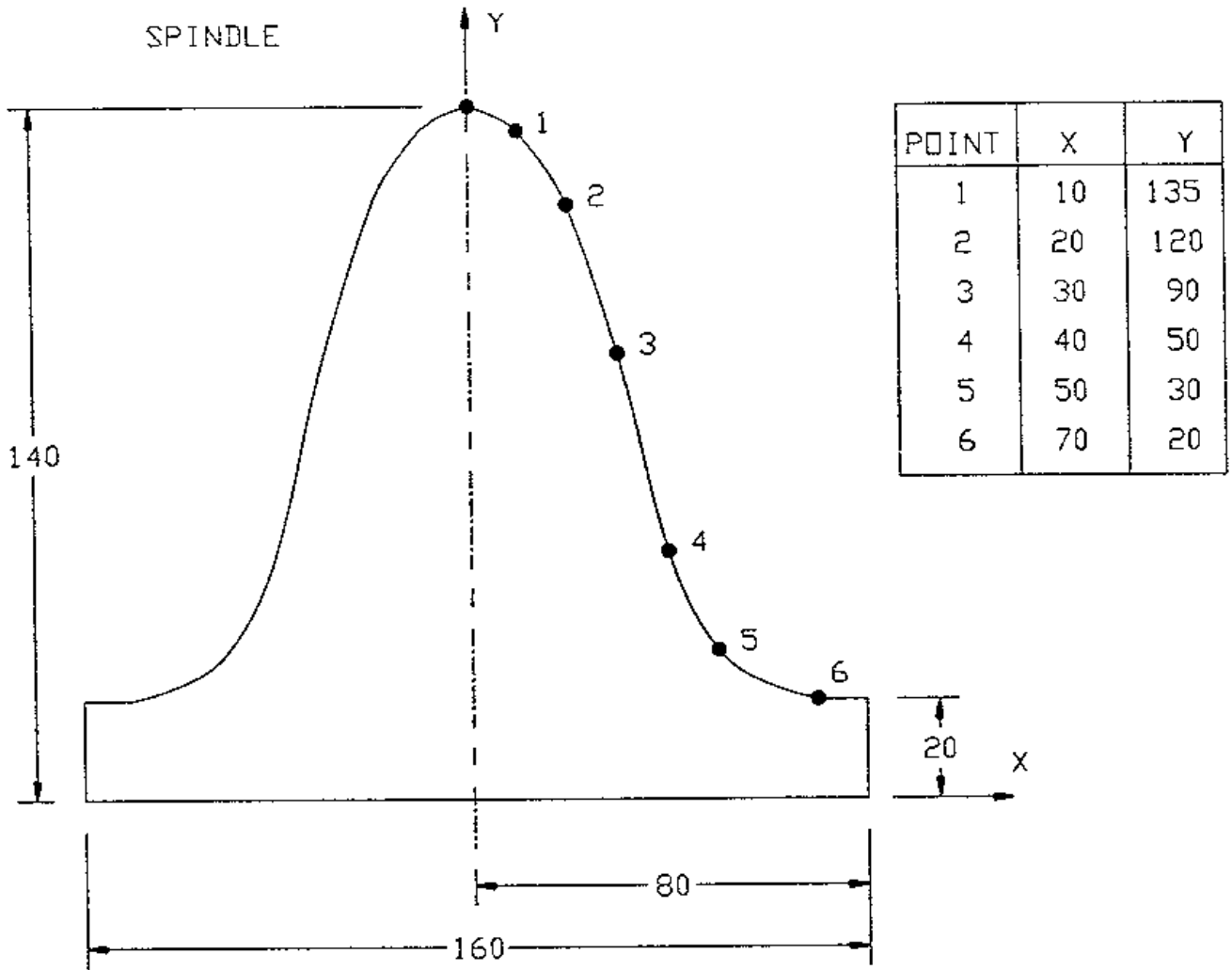
# Exercise 9



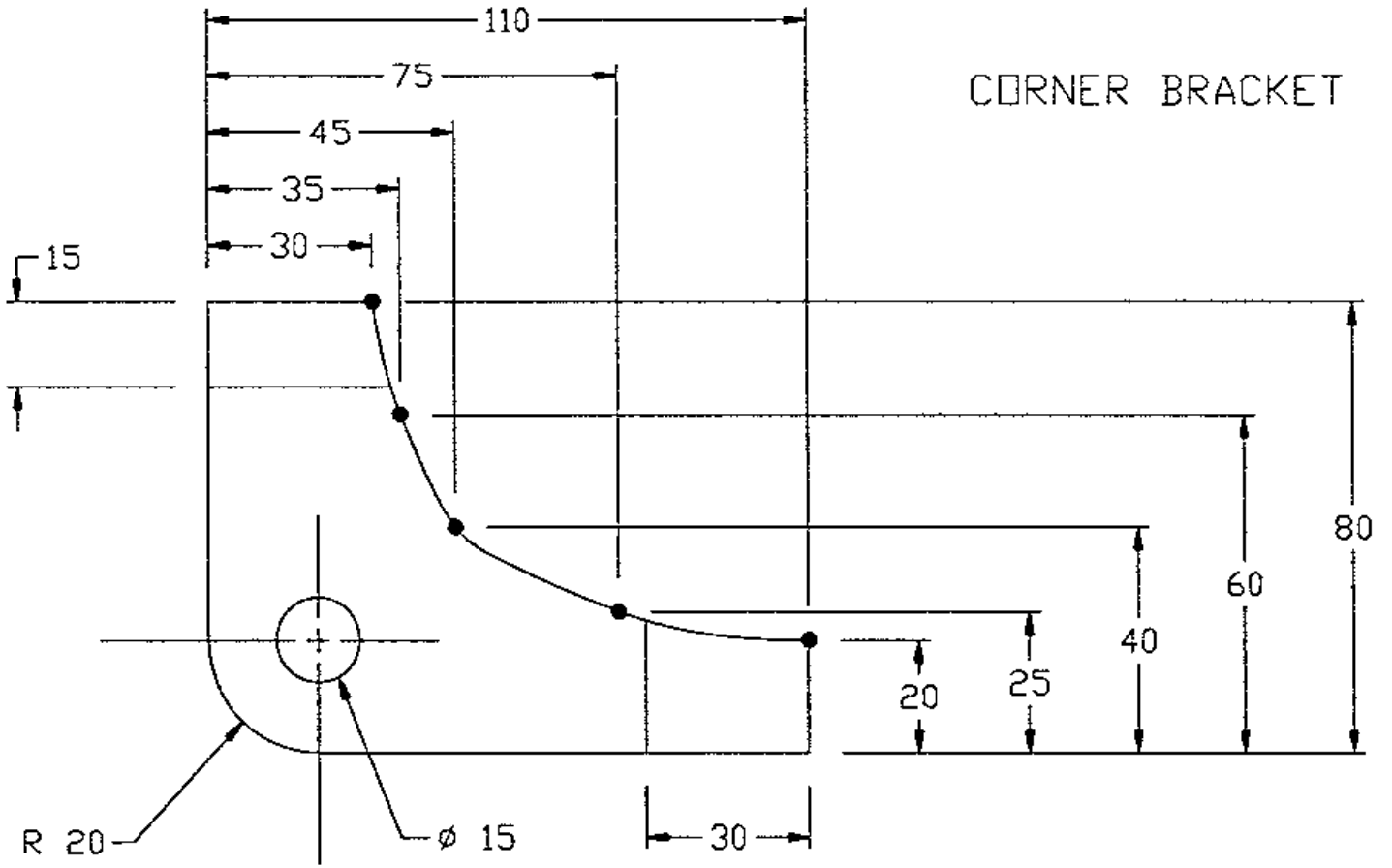
*Draw  $\frac{1}{2}$  size*

**Quadrant for Lathe.**

# Exercise 10



# Exercise 11



# Exercise 12