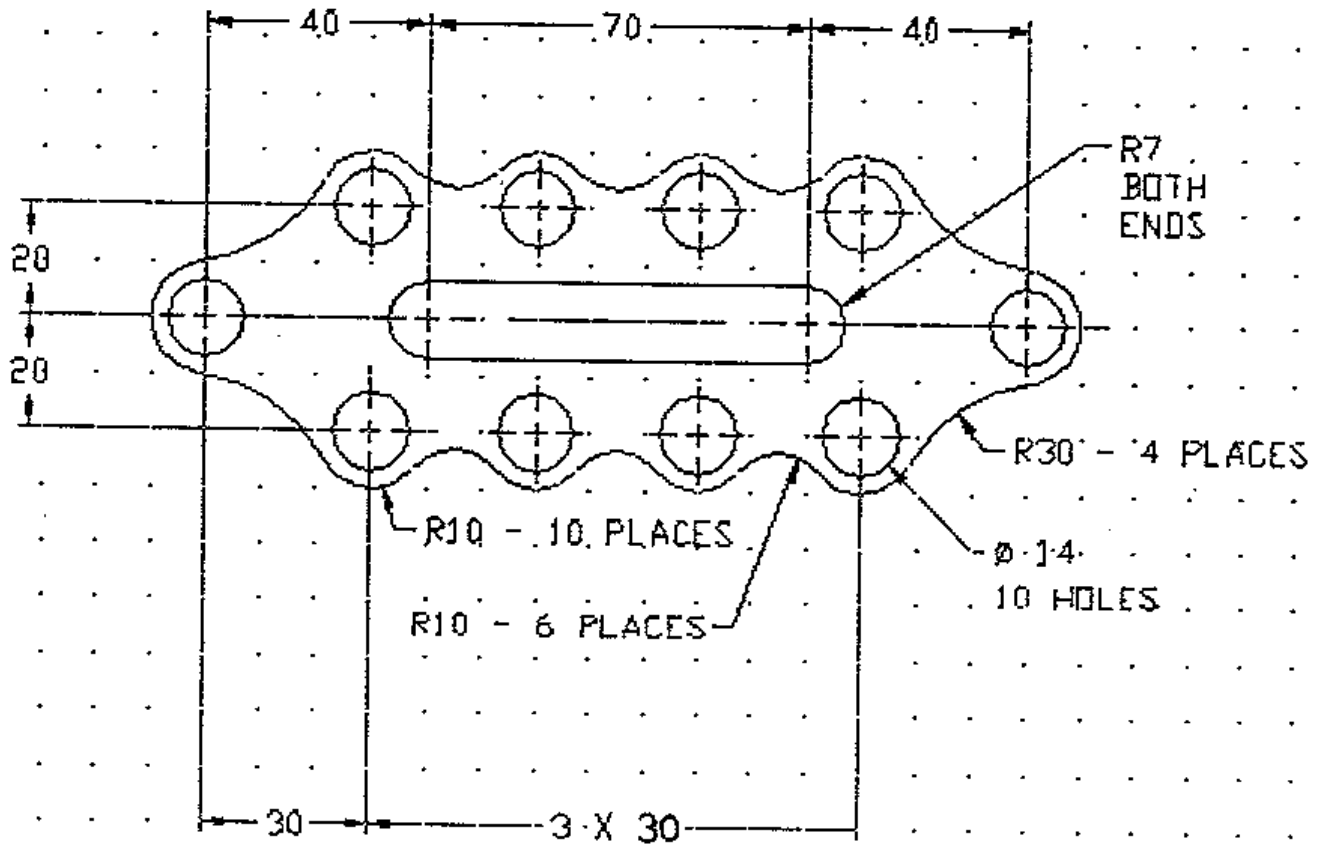
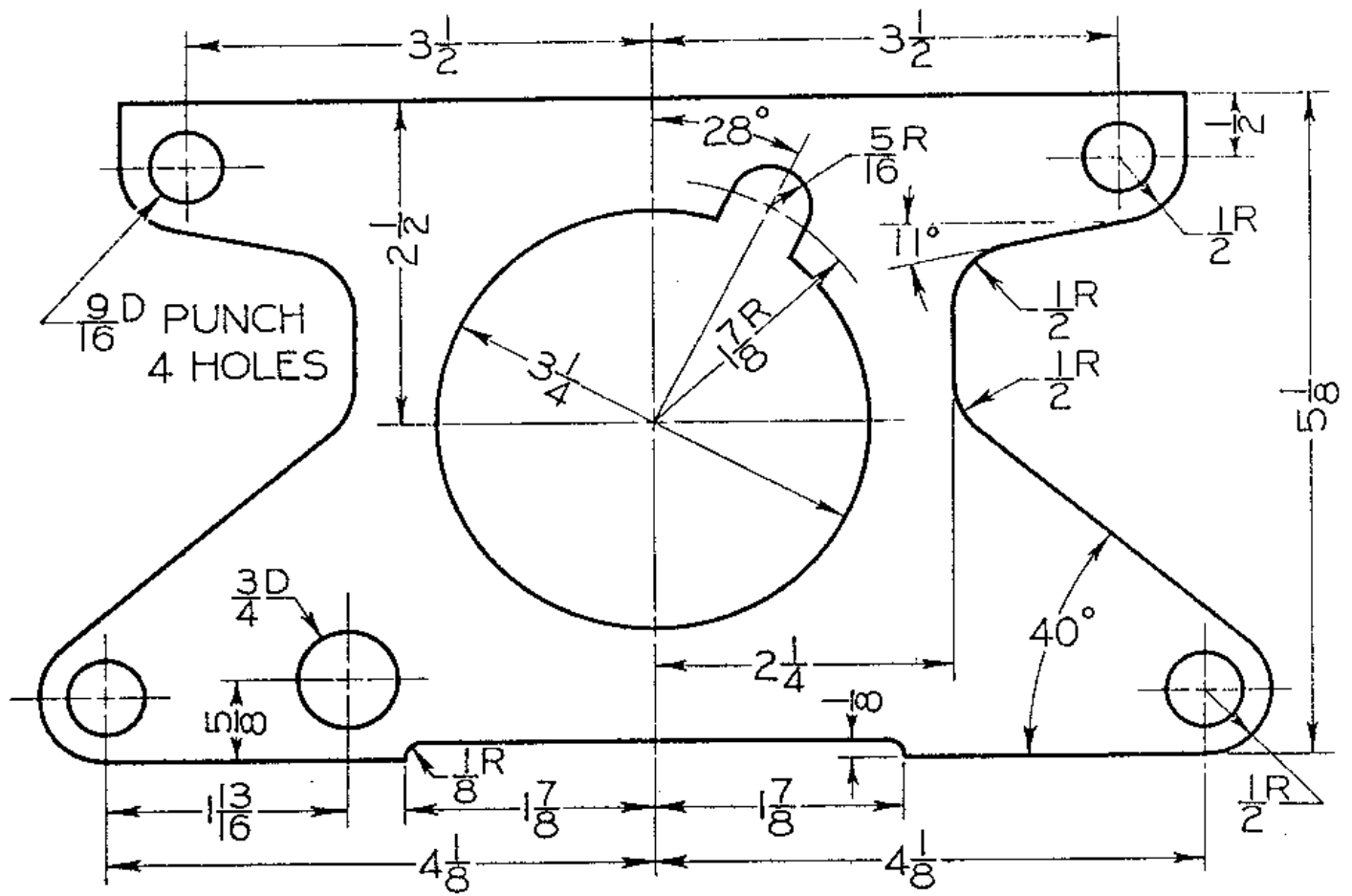


RIM GASKET



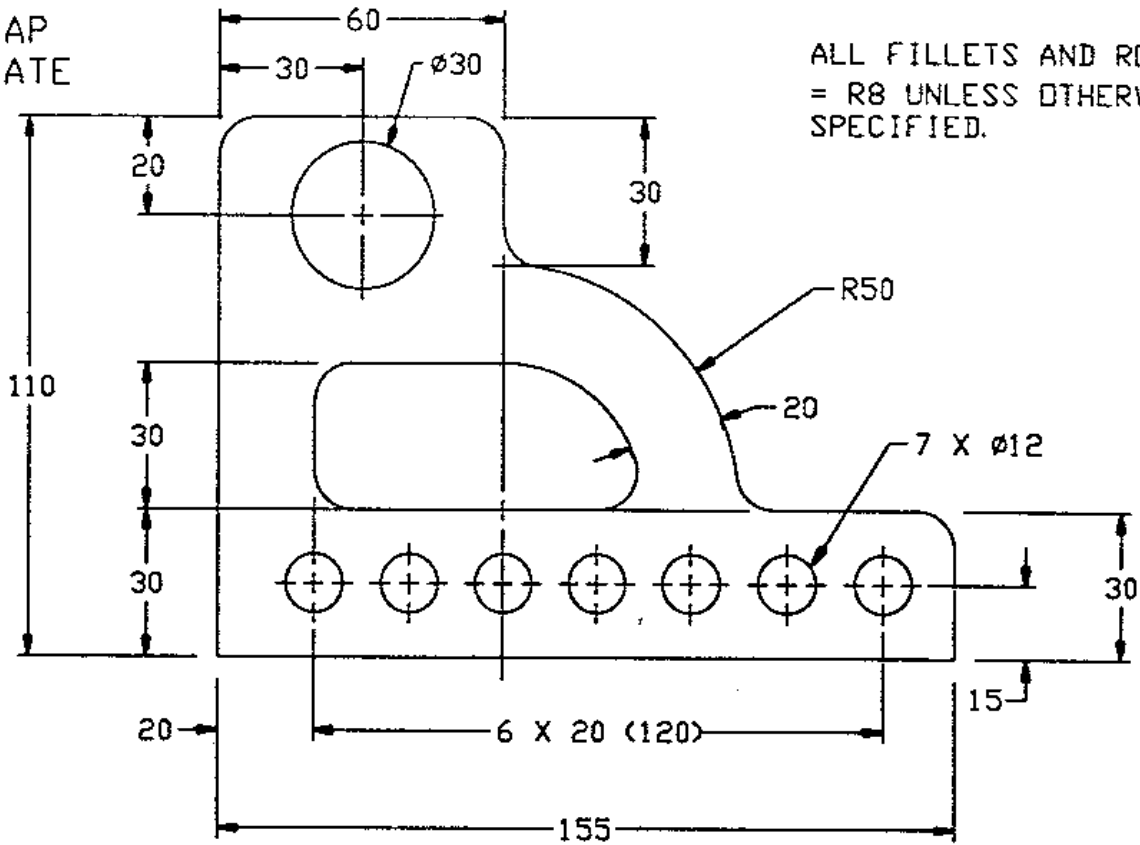
Exercise 13



Buick Transmission Gasket.

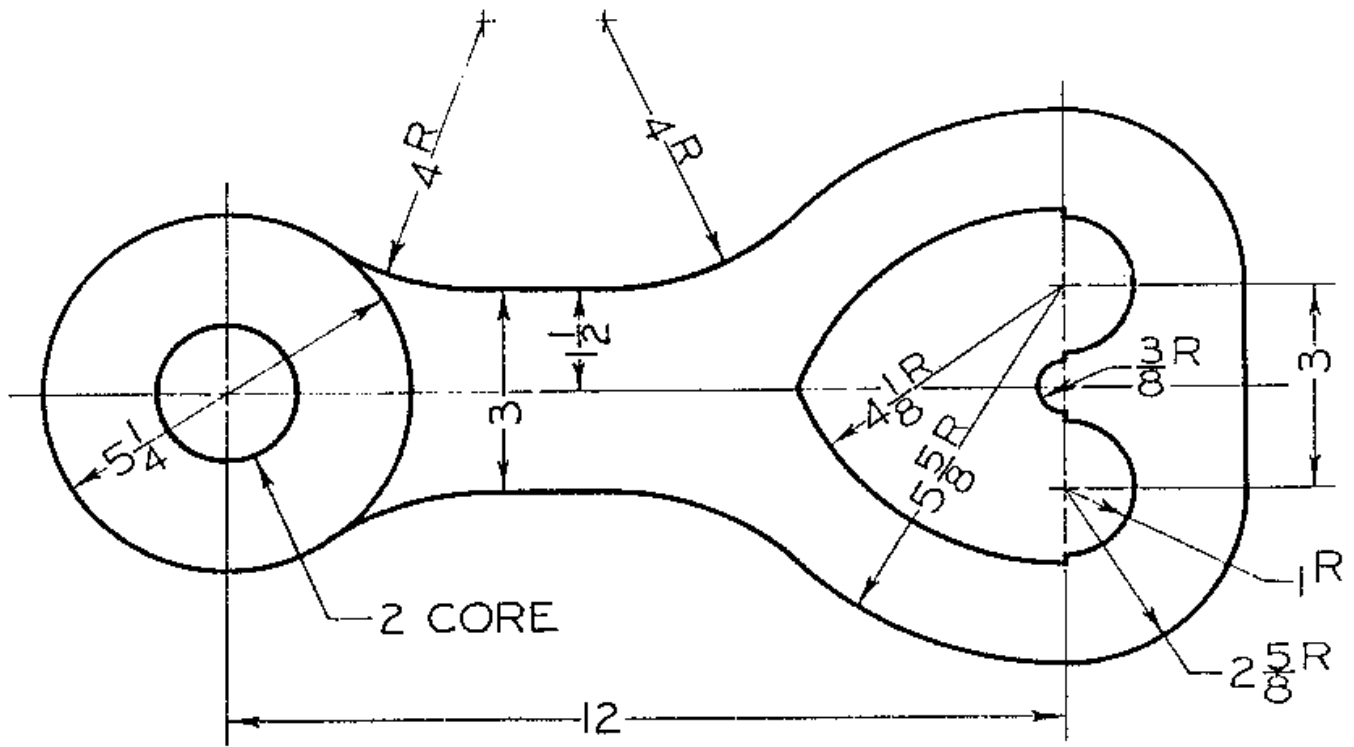
Exercise 14

STRAP
PLATE



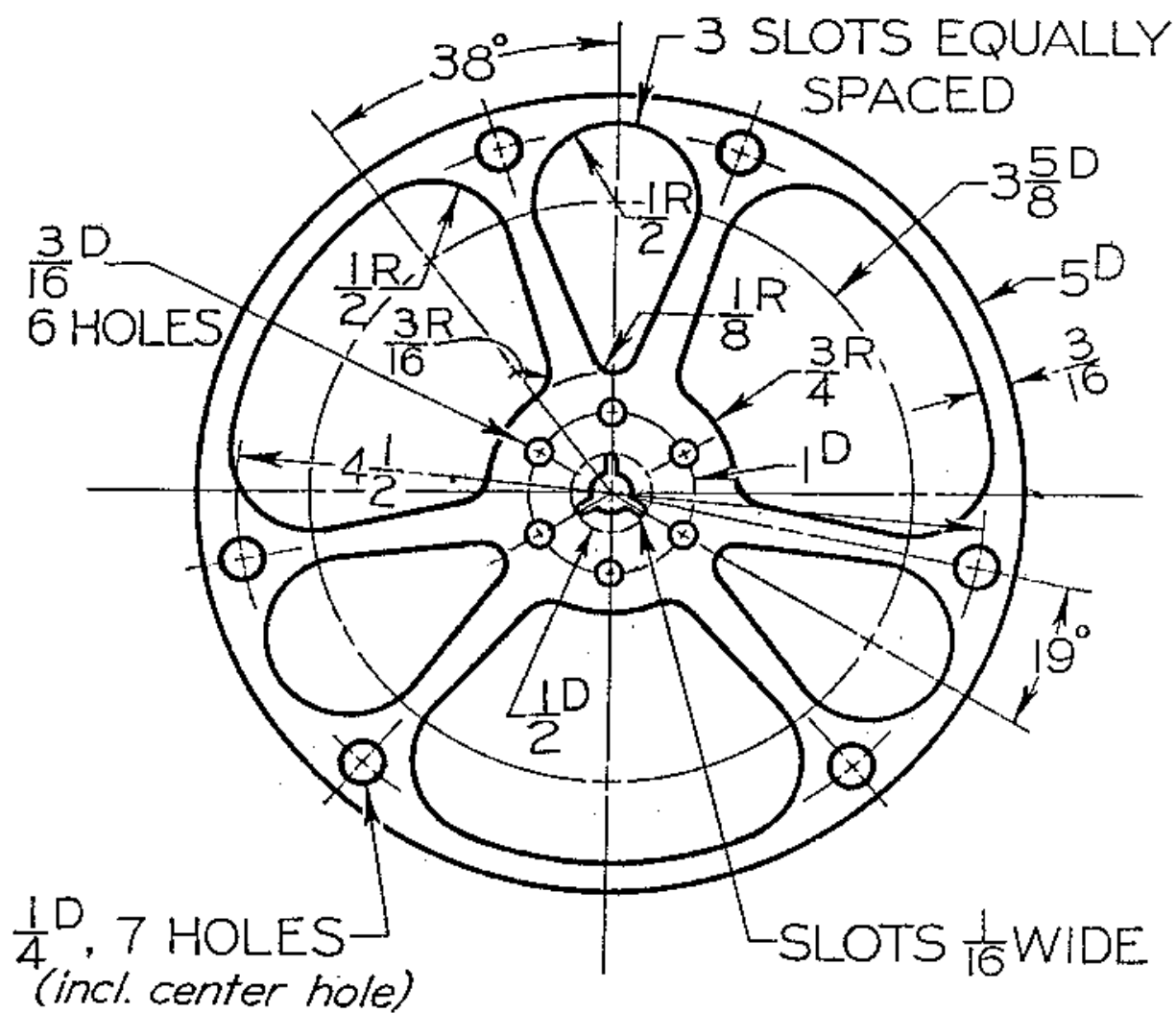
ALL FILLETS AND ROUNDS
= R8 UNLESS OTHERWISE
SPECIFIED.

Exercise 15



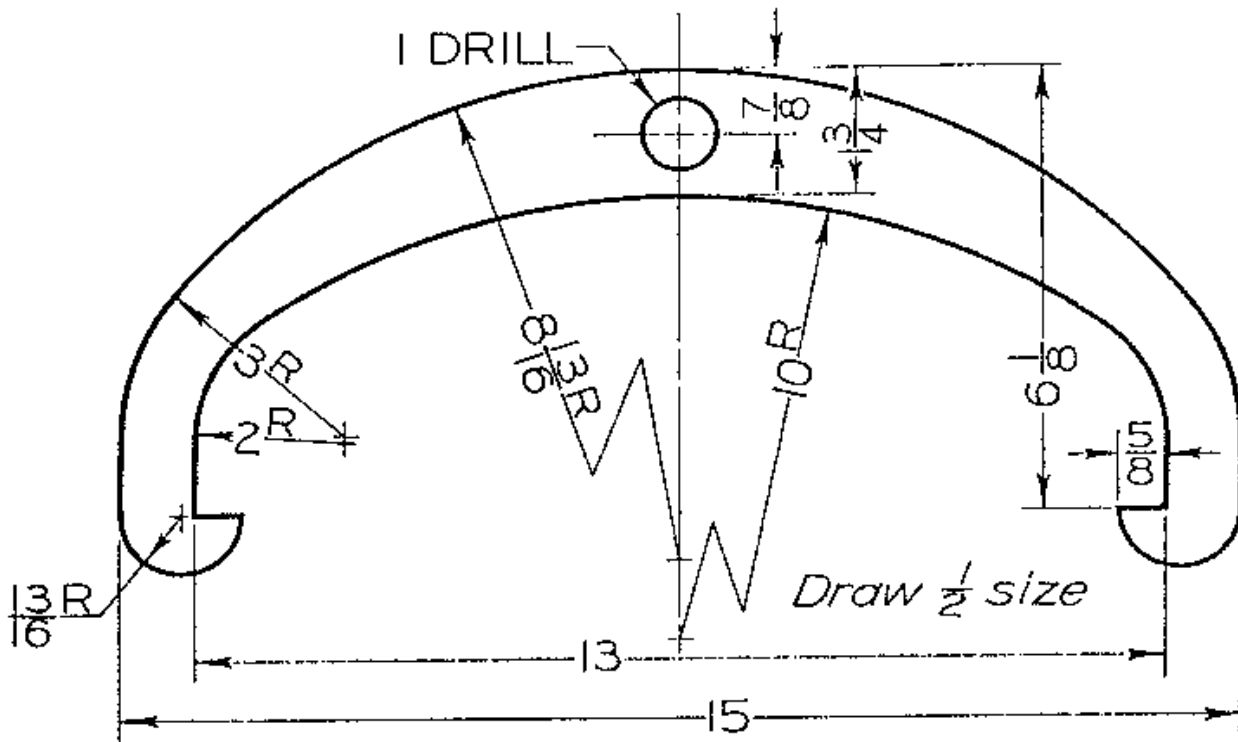
Locomotive Truck Swing Link

Exercise 18



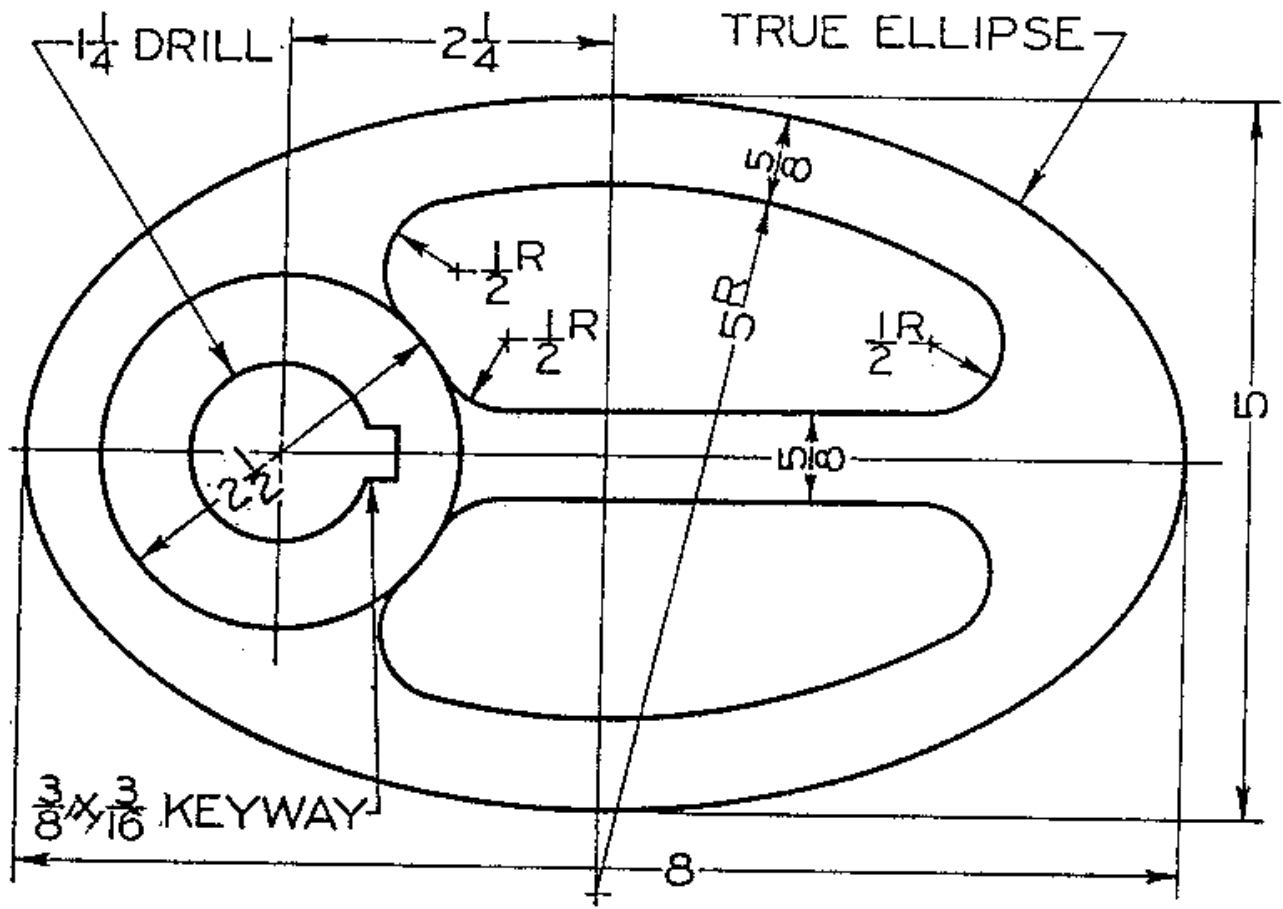
Movie Film Reel

Exercise 19



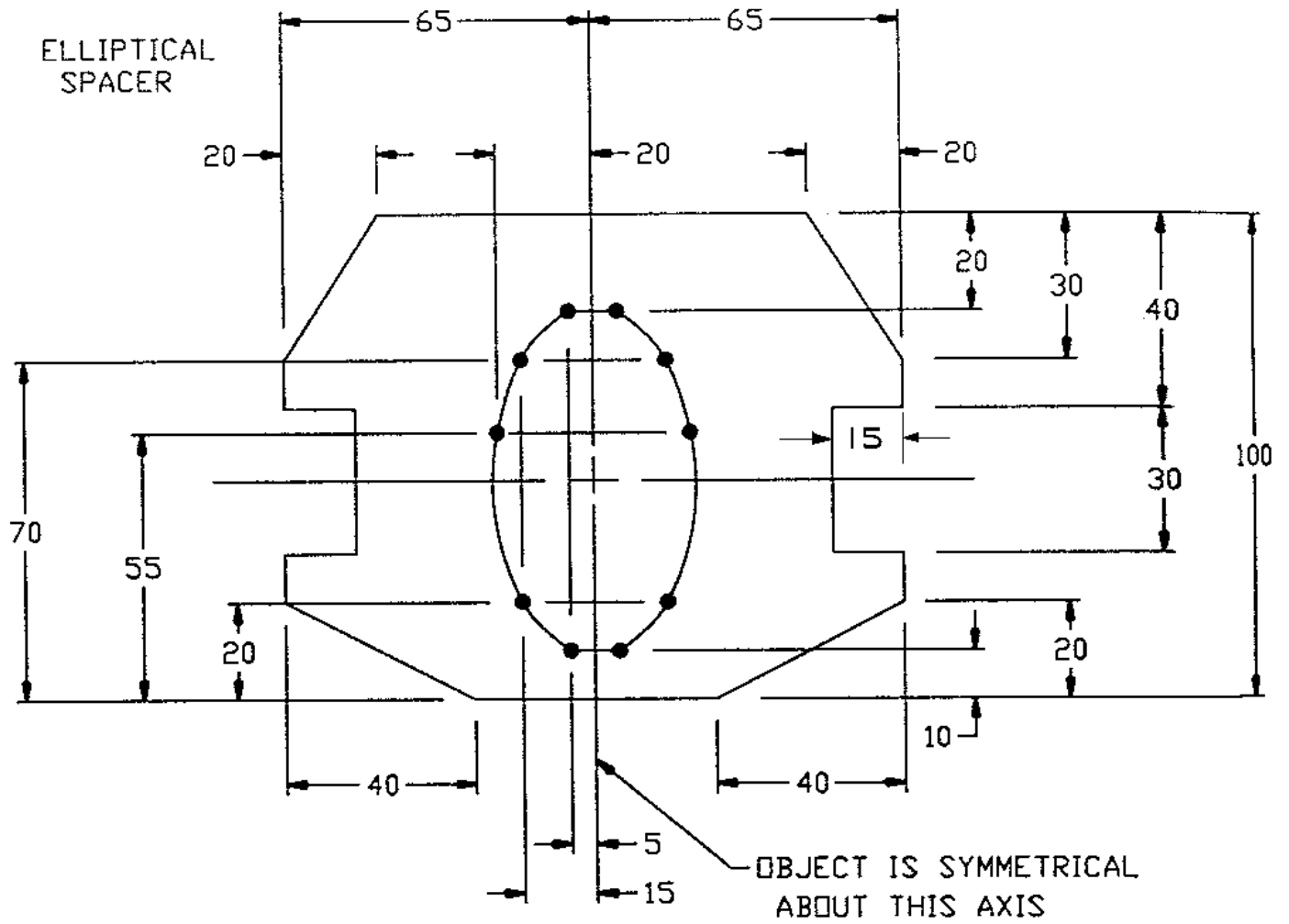
Clamp for Laundry Machine

Exercise 21



Elliptical Cam

Exercise 23



Exercise 24