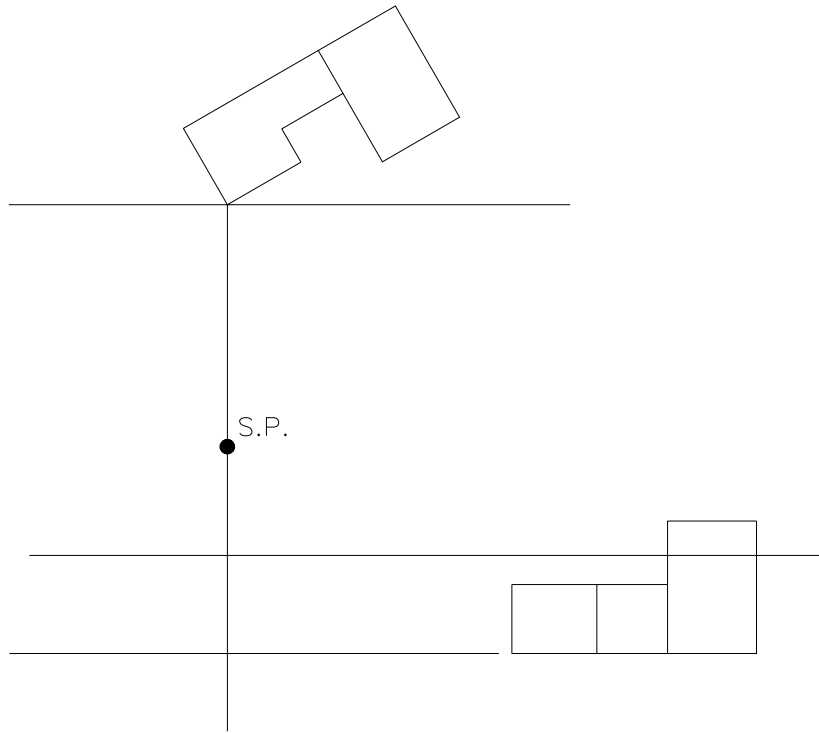
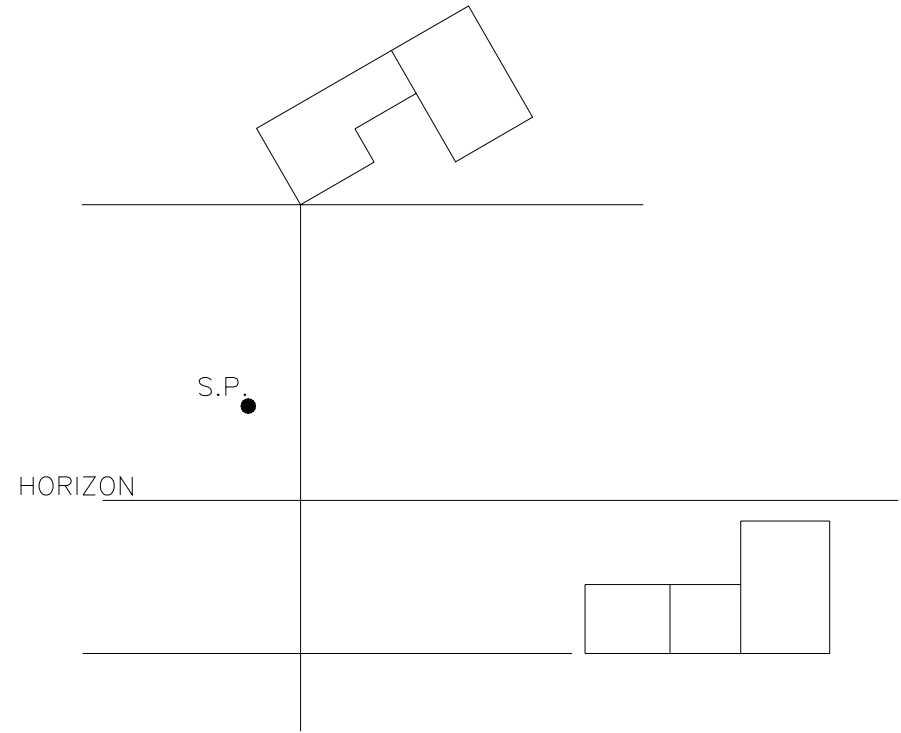


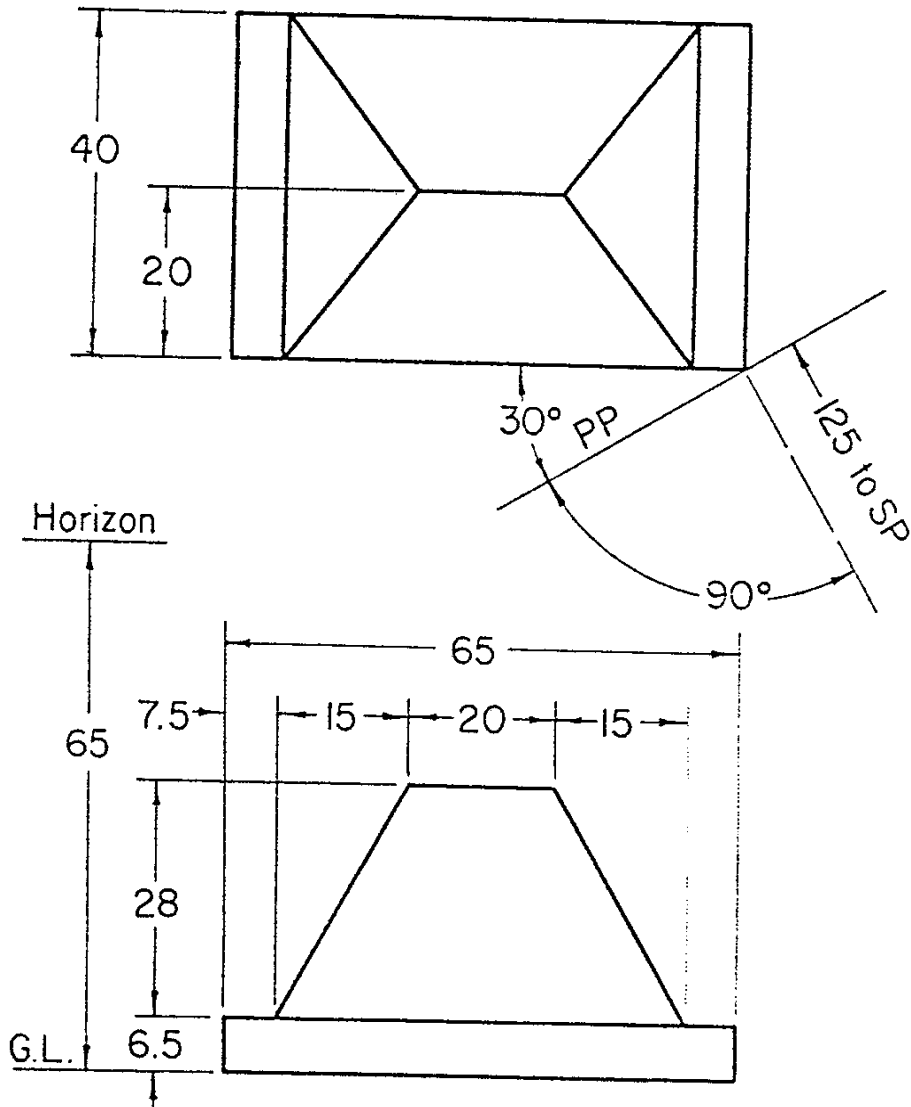
1. PICTURE PLANE
2. HORIZON - VP
3. STATION POINT
4. GROUND
5. TRUE HEIGHT
6. FRONT VIEW



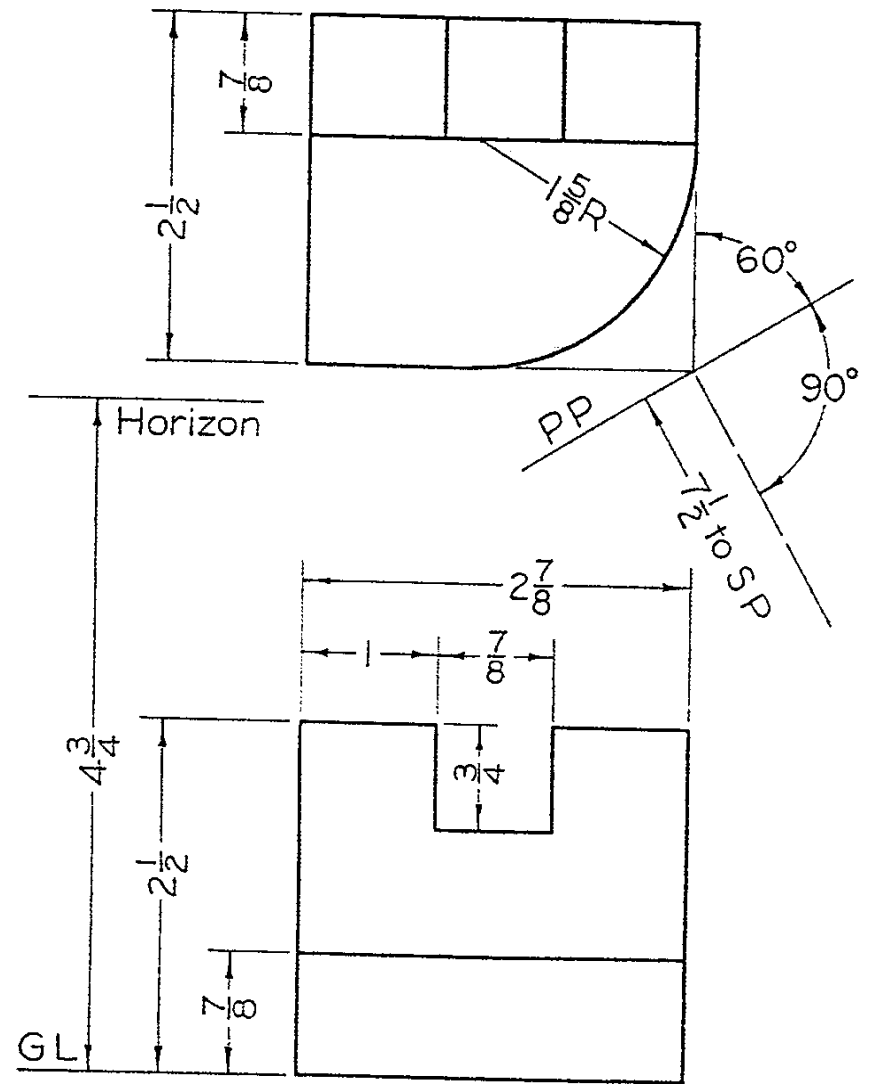
Exercise 1



Exercise 2

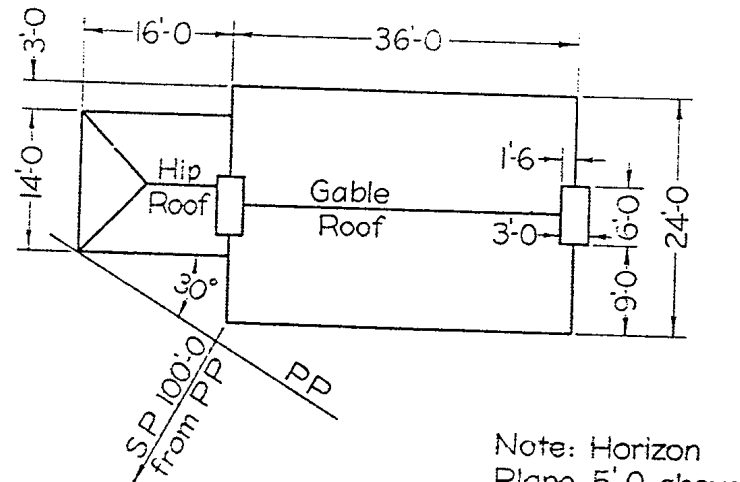


Prob. 5.6.1 METRIC Double wedge block

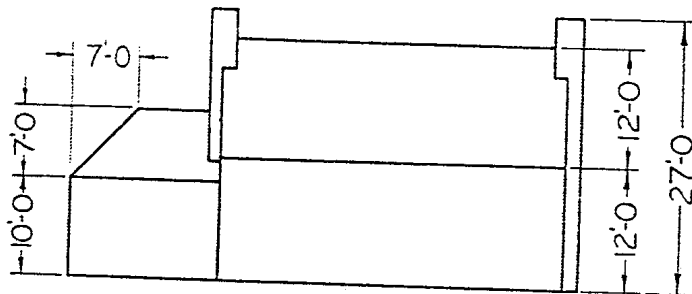


Prob. 5.6.2 Notched holder

Bonus Material

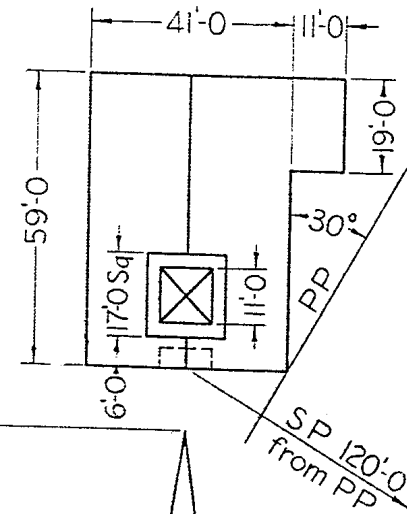


Note: Horizon Plane 5'-0 above Ground Plane

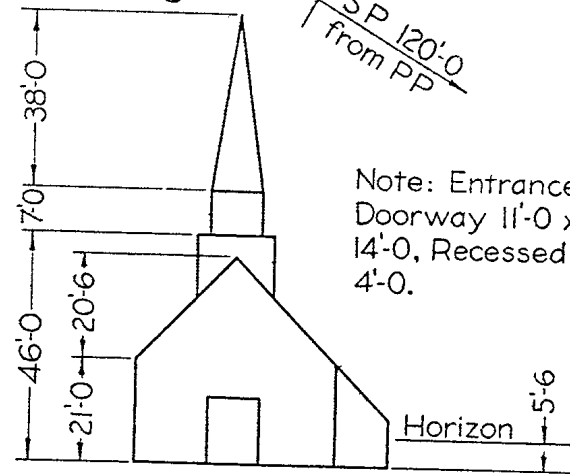


Prob. 5.6.5 House

$$\frac{3}{16}'' = 1' - 0''$$



Note: Entrance Doorway 11'-0 x 14'-0, Recessed 4'-0.



Prob. 5.6.6 Church

$$\frac{1}{8}'' = 1' - 0''$$