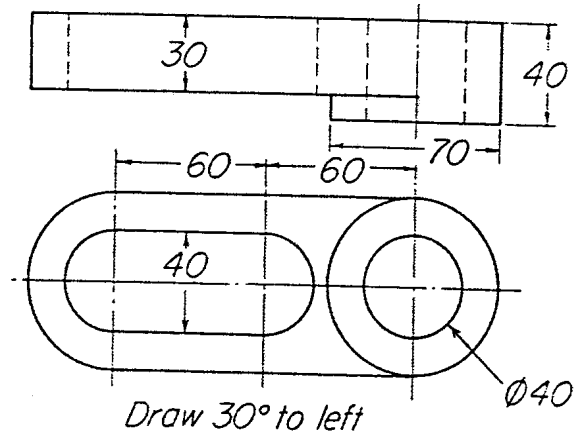
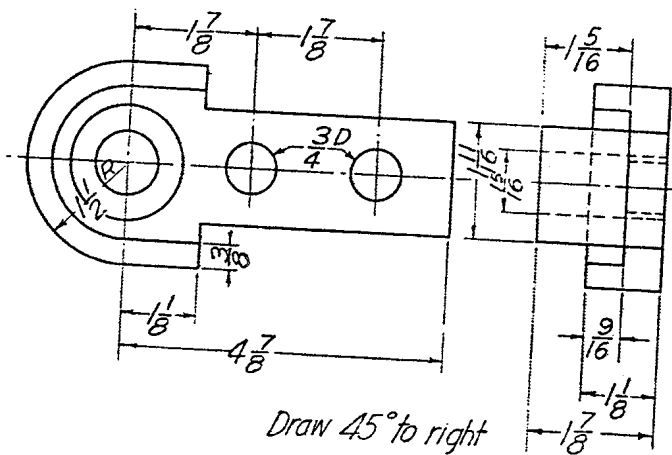


Draw 45° to left

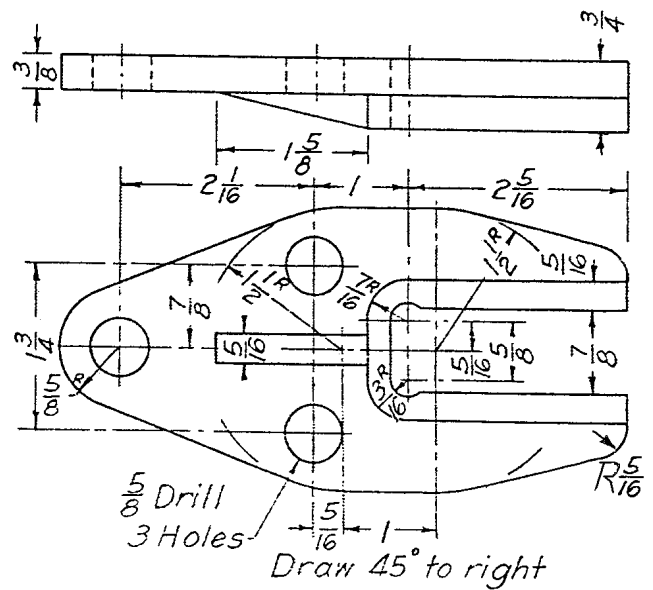
Prob. 5.3.4 Ratchet wheel



Prob. 5.3.5 METRIC Slotted link



Prob. 5.3.6 Swivel plate



Prob. 5.3.7 Jaw bracket