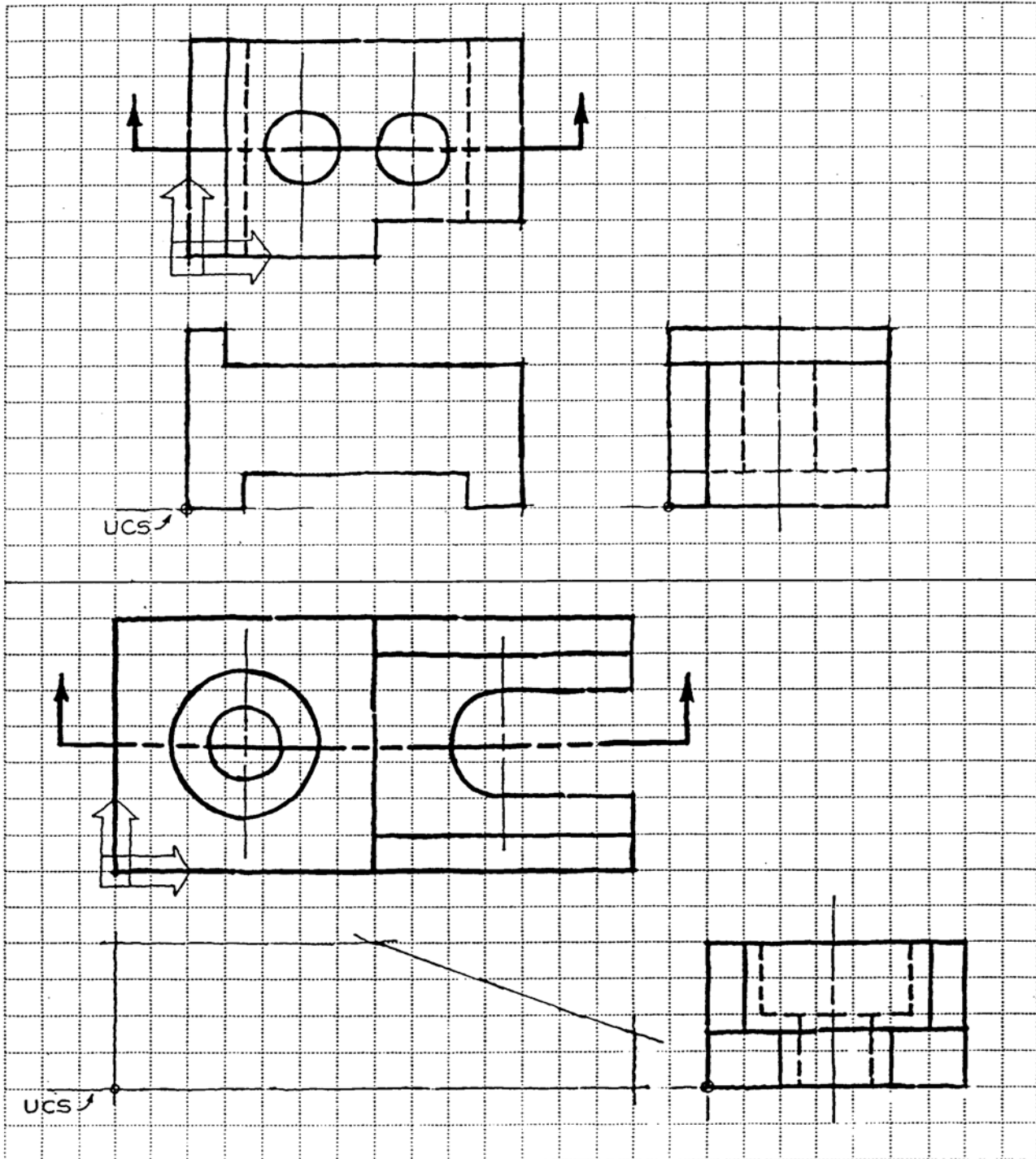




*FULL SECTION*

SKETCH THE SECTION AS CALLED FOR BY THE CUTTING PLANE.

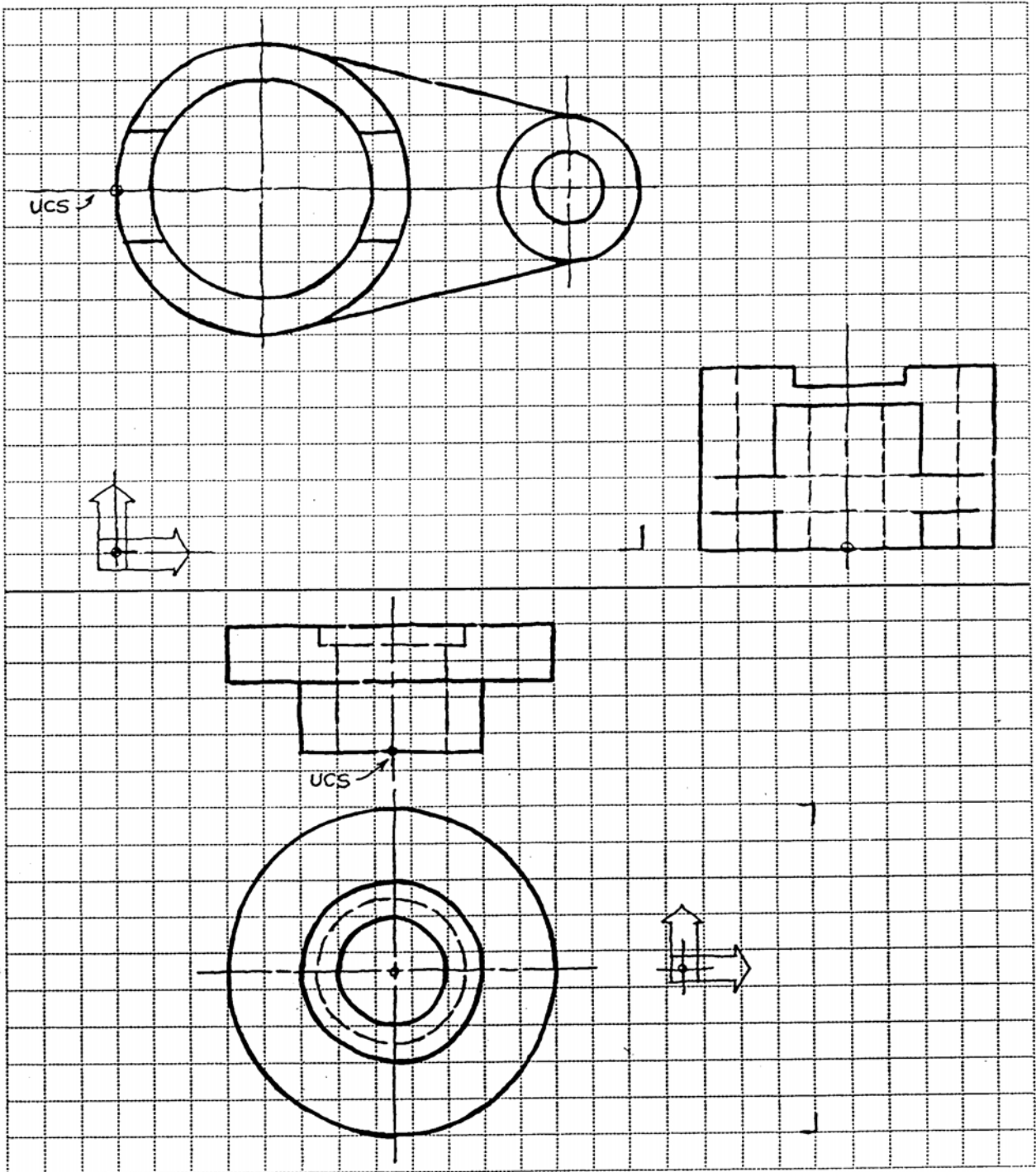


Drawn By:		FREEHAND SKETCHING	
Scale	TITLE	SECTIONING	
Date	Sheet of	Drawing Number	A 6.1



*FULL SECTION*

ADD THE MISSING CUTTING PLANE AND COMPLETE THE MISSING VIEW OF EACH OBJECT IN FULL SECTION

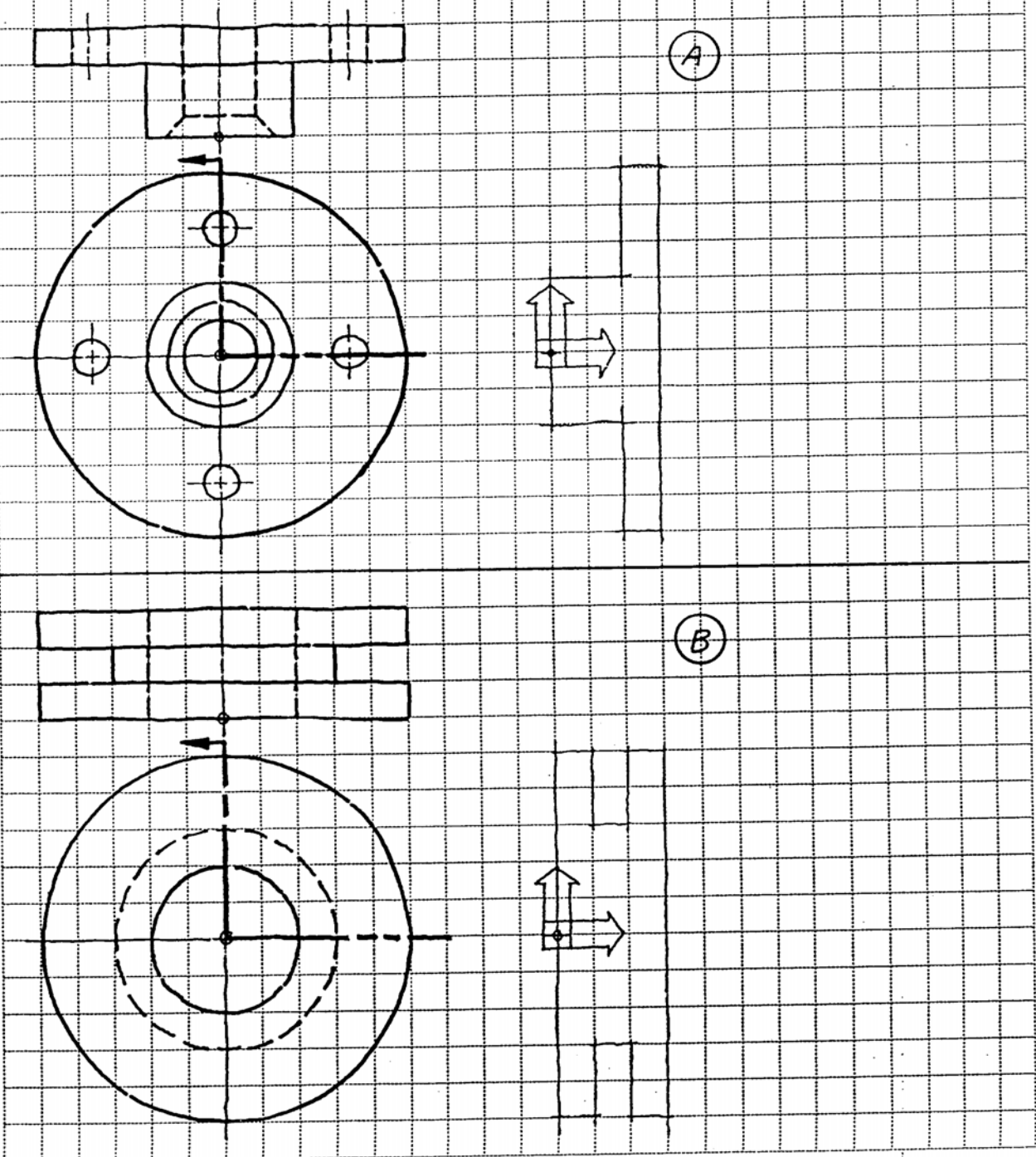


Drawn By:		FREEHAND SKETCHING	
	Scale	TITLE SECTIONING	
Date	Sheet of	Drawing Number	A 6.2



HALF SECTION

HALF-SECTION: SKETCH THE RIGHT SIDE VIEW AS CALLED FOR BY THE CUTTING PLANE. OMIT HIDDEN LINES.

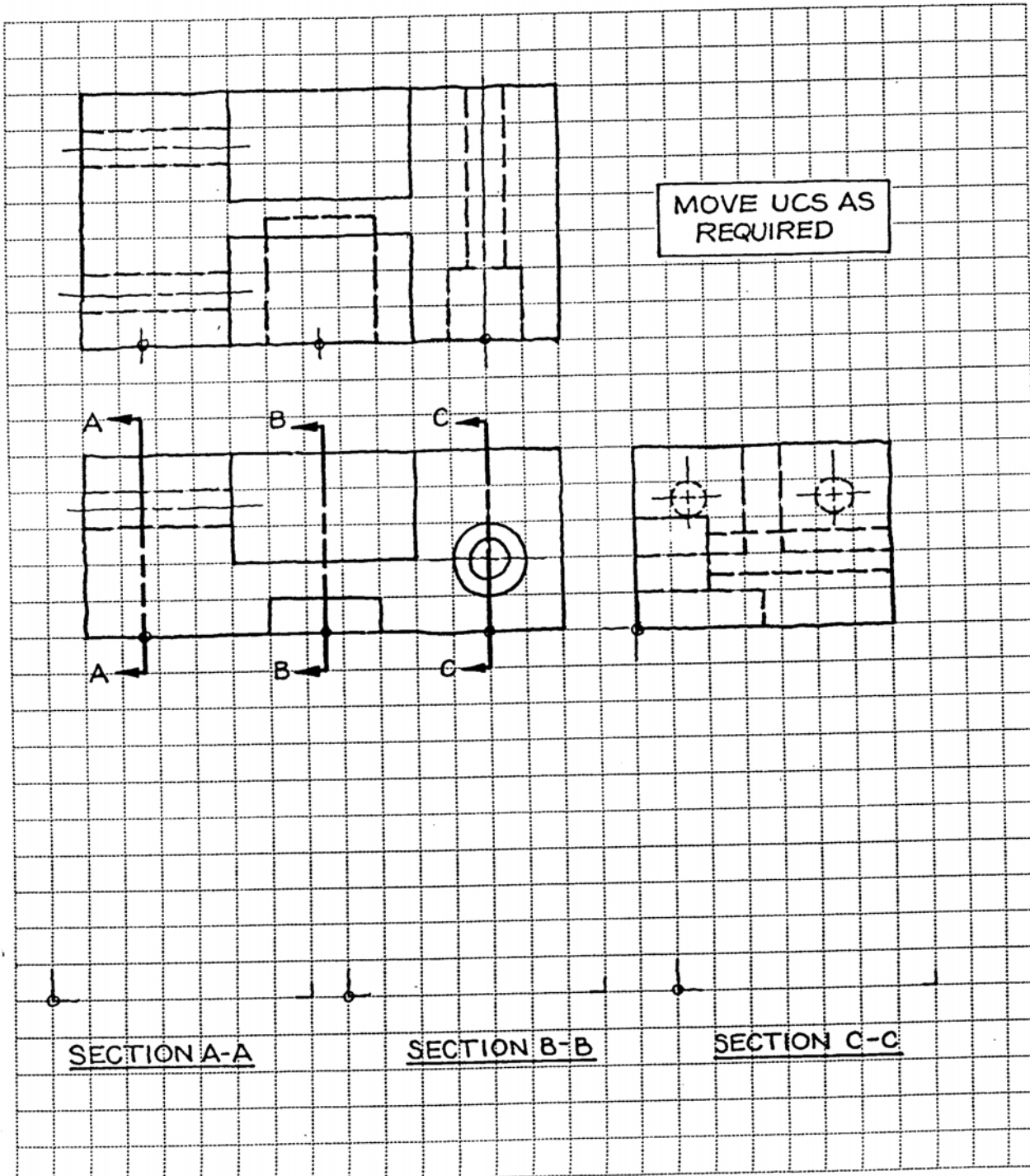


Drawn By:		FREEHAND SKETCHING	
Scale	TITLE	SECTIONING	
Date	Sheet of	Drawing Number	A 6.1.1



MULTIPLE SECTION

SKETCH THE REMOVED SECTIONS IN THE SPACE PROVIDED.



MOVE UCS AS  
REQUIRED

SECTION A-A

SECTION B-B

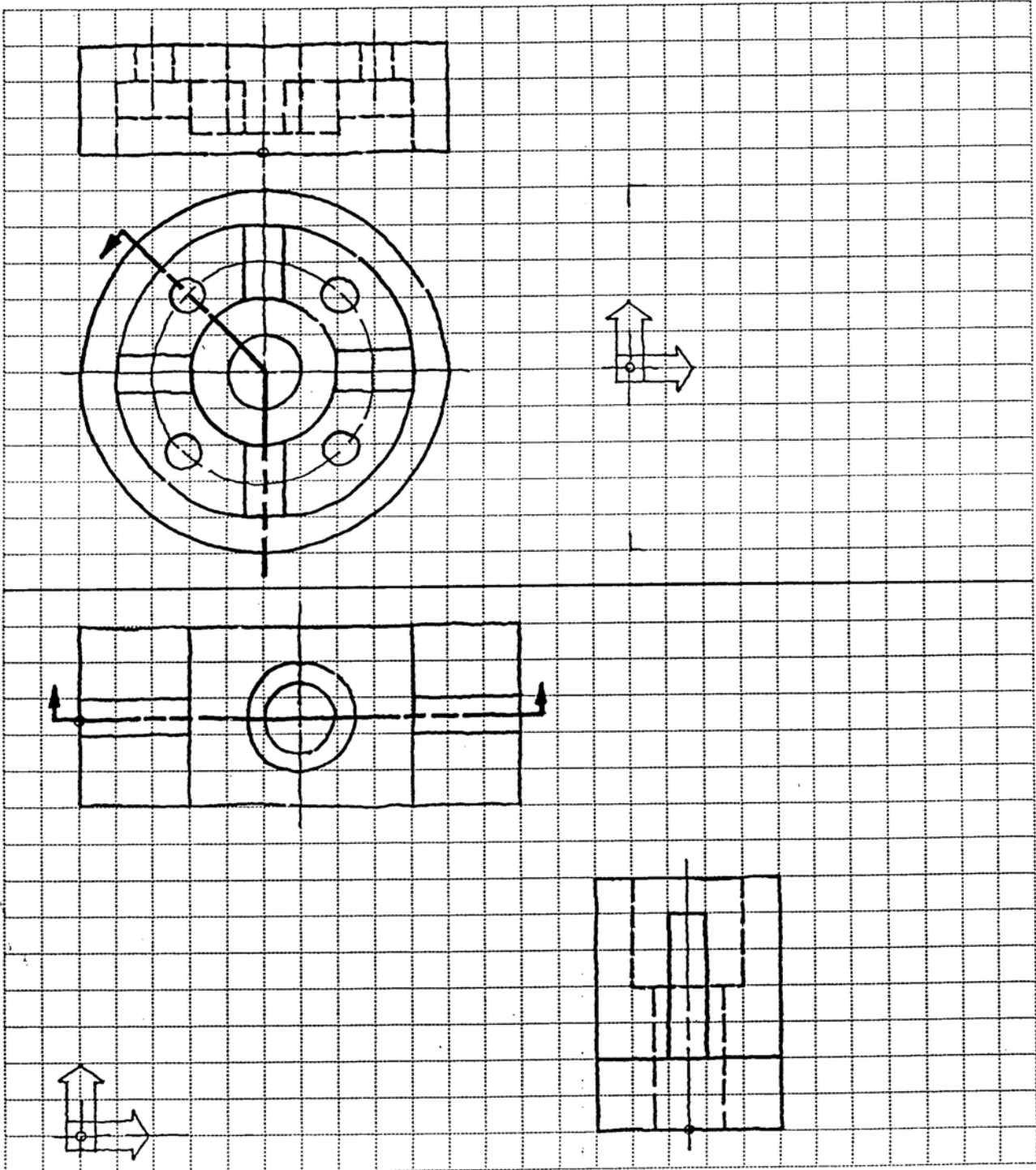
SECTION C-C

Drawn By:		FREEHAND SKETCHING	
Scale		TITLE SECTIONING	
Date	Sheet of	Drawing Number	A
			6.5.1



REVOLVED SECTION

PERFORM THE SECTION. USE STANDARD TREATMENT FOR RIBS AND RADIAL FEATURES.



Drawn By: -		FREEHAND SKETCHING	
	Scale -	TITLE	SECTIONING
Date	Sheet -	Drawing A	6.3.1