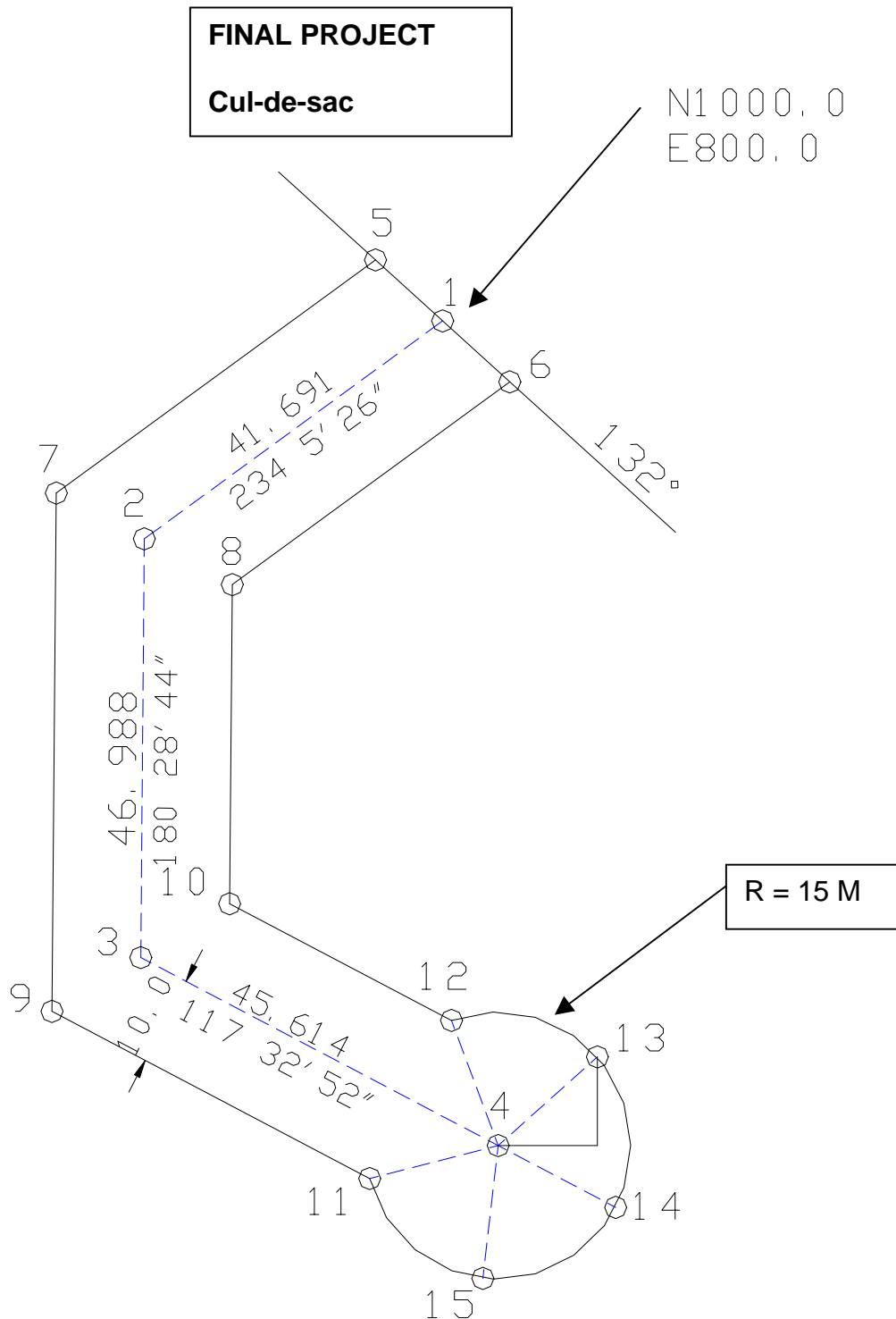
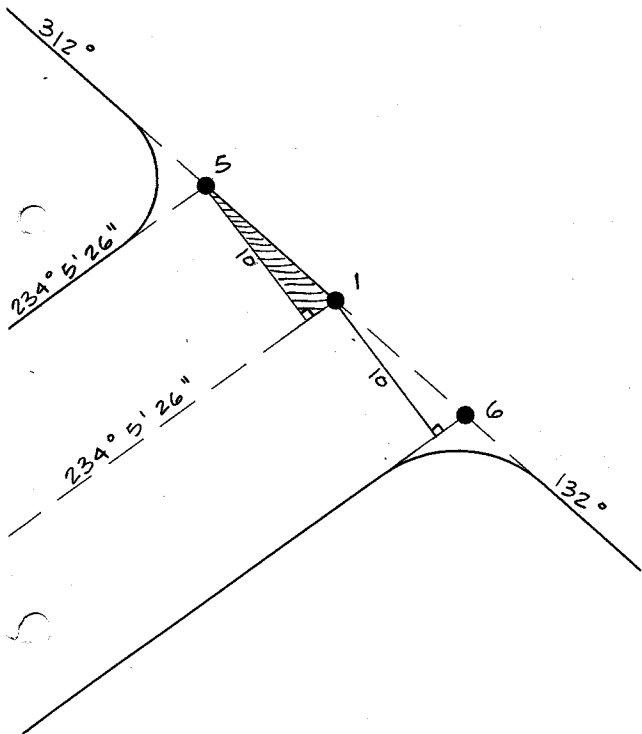
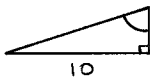


**MODULE F Cul-de-sac (latitudes & departures)**

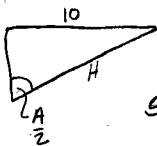




1 TO 5		
1 TO 6		
	LENGTH	AZIMUTH

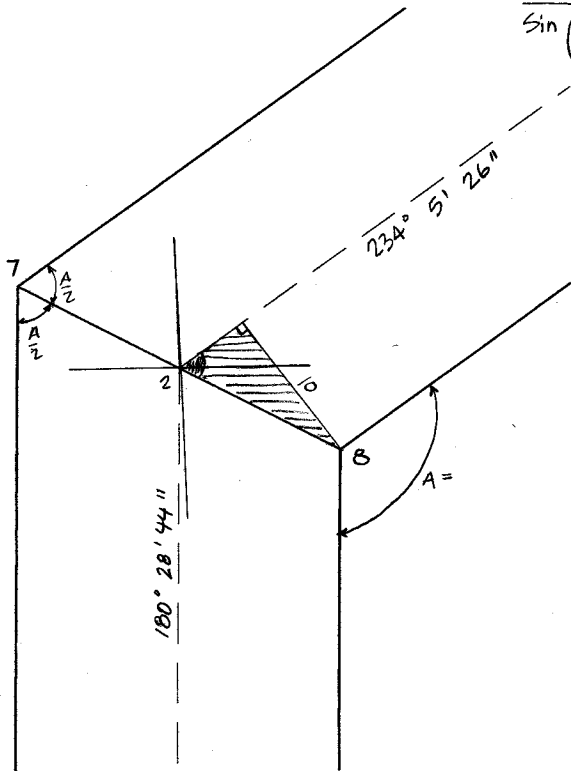


LENGTH	AZIMUTH	
		2 To 7
		2 To 8

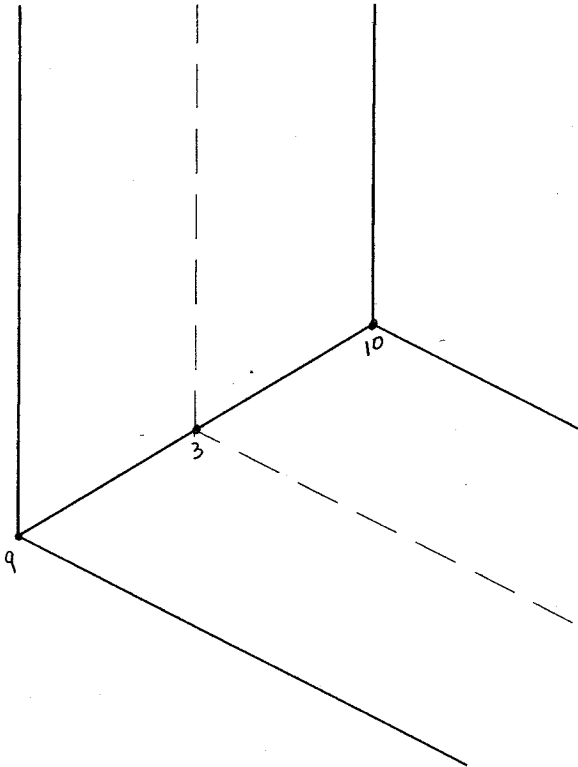


$$\sin\left(\frac{A}{2}\right) = \frac{10}{H}$$

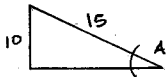
$$H = \frac{10}{\sin\left(\frac{A}{2}\right)}$$



3 TO 9		
3 TO 10		
	LENGTH	AZIMUTH



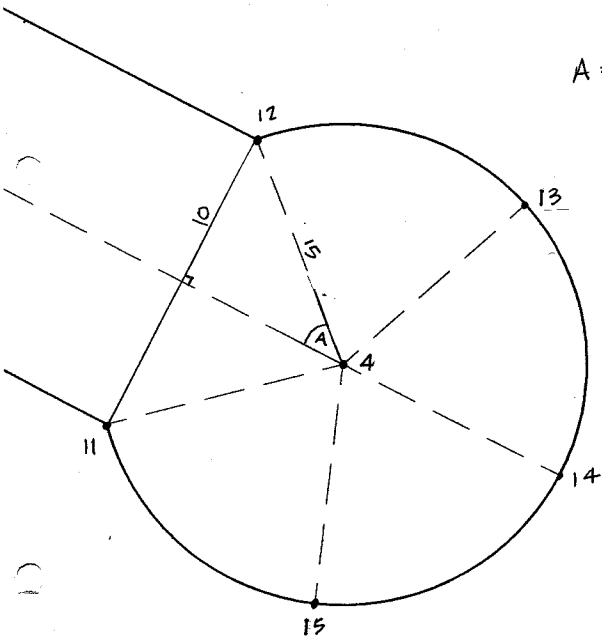
4 TO 11		
4 TO 12		
	LENGTH	AZIMUTH



$$\sin A = \frac{10}{15}$$

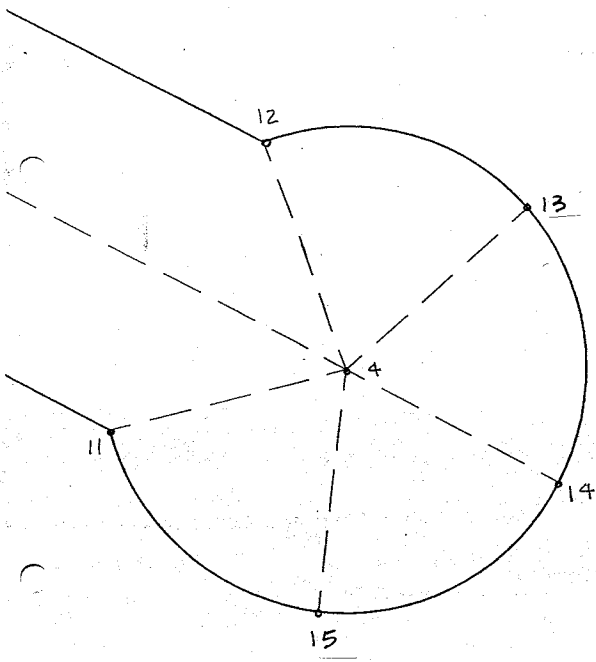
$$A = \left(\frac{10}{15}\right) \sin^{-1}$$

$$A =$$



CUL-DE-SAC

4 To 13		
4 To 14		
4 To 15		
	LENGTH	AZIMUTH



Tc = Tangent  
Centre

CURVE DATA:

	CURVE A	CURVE B
Def A =		
Tc =		
Arc L =		
R =		

CURVE B

5

312°

1

132°

6

234° 5' 26"

CURVE  
A

